

15" ATTACHABLE TV

ASSEMBLY INSTRUCTIONS
M051-00K96-0002 REV B



CORPORATE HEADQUARTERS

5100 River Road, Schiller Park, Illinois 60176 • U.S.A.

847.288.3300 • FAX: 847.288.3703

Service phone number: 800.351.3737 (toll-free within U.S.A., Canada)

Global Website: www.lifefitness.com

INTERNATIONAL OFFICES

AMERICAS

North America

LIFE FITNESS, Inc.

5100 N River Road
Schiller Park, IL 60176 U.S.A.
Telephone: (847) 288 3300
Fax: (847) 288 3703
Service Email: customersupport@lifefitness.com
Service Website: www.lifefitness.com/parts
Sales/Marketing Email:
commercialsales@lifefitness.com
Operating Hours: 7:00 am-6:00 pm (CST)

Brazil

LIFE FITNESS Brasil

Av. Cidade Jardim, 900
Jd. Paulistano
São Paulo, SP 01454-000
BRAZIL
SAC: 0800 773 8282
Telephone: +55 (11) 3095 5200
Fax: +55 (11) 3095 5201
Service Email: suporte@lifefitness.com.br
Sales/Marketing Email: lifefitness@lifefitness.com.br
Service Operating Hours:
9:00 - 17:00 (BRT) (Monday-Friday)
Store Operating Hours:
9:00 - 20:00 (BRT) (Monday-Friday)
10:00 - 16:00 (BRT) (Saturday)

Latin America & Caribbean*

LIFE FITNESS Inc.

5100 N River Road
Schiller Park, IL 60176 U.S.A.
Telephone: (847) 288 3300
Fax: (847) 288 3703
Service Email: customersupport@lifefitness.com
Sales/Marketing Email:
commercialsales@lifefitness.com
Operating Hours: 7:00am-6:00pm (CST)

EUROPE, MIDDLE EAST, & AFRICA (EMEA)

Netherlands & Luxemburg

LIFE FITNESS Atlantic BV

Bijdorplein 25-31
2992 LB Barendrecht
THE NETHERLANDS
Telephone: (+31) 180 646 666
Fax: (+31) 180 646 699
Service Email: service.benelux@lifefitness.com
Sales/Marketing Email:
marketing.benelux@lifefitness.com
Operating Hours: 9.00h-17.00h (CET)

United Kingdom & Ireland

LIFE FITNESS UK LTD

Queen Adelaide
Ely, Cambs, CB7 4UB
Telephone: General Office (+44)
1353.666017
Customer Support (+44) 1353.665507
Fax: (+44) 1353.666018
Service Email: uk.support@lifefitness.com
Sales/Marketing Email: life@lifefitness.com
Operating Hours:
General Office: 9.00am - 5.00pm (GMT)
Customer Support: 8.30am - 5.00pm (GMT)

Germany & Switzerland

LIFE FITNESS Europe GMBH

Siemensstraße 3
85716 Unterschleißheim
GERMANY
Telephone: (+49) 89.31 77 51.0 (Germany)
(+41) 0848 000 901 (Switzerland)
Fax: (+49) 89.31 77 51.99 (Germany)
(+41) 043 818 07 20 (Switzerland)
Service Email: kundendienst@lifefitness.com
Sales/Marketing Email:
kundenberatung@lifefitness.com
Operating Hours: 08.30 -16.30h (CET)

Austria

LIFE FITNESS Austria

Vertriebs G.m.b.H.
Dückerstraße 7-9/3/36
1220 Vienna
AUSTRIA
Telephone: (+43) 1.61.57.198
Fax: (+43) 1.61.57.198.20
Service Email: kundendienst@lifefitness.com
Marketing/Sales Email:
kundenberatung@lifefitness.com
Operating Hours: 08:30-16:30.h (MEZ)

Spain

LIFE FITNESS IBERIA

C/Frederic Mompou 5,1ª^a
08960 Sant Just Desvern Barcelona
SPAIN
Telephone: (+34) 93.672.4660
Fax: (+34) 93.672.4670
Service Email: servicio.tecnico@lifefitness.com
Sales/Marketing Email: info.iberia@lifefitness.com
Operating Hours:
9.00h-18.00h (Monday-Thursday)
8.30h-15.00h (Friday)

Belgium

LIFE FITNESS Benelux NV

Parc Industriel de Petit-Rechain
4800 Verviers
BELGIUM
Telephone: (+32) 87 300 942
Fax: (+32) 87 300 943
Service Email: service.benelux@lifefitness.com
Sales/Marketing Email:
marketing.benelux@lifefitness.com
Operating Hours: 9.00h -17.00h (CET)

Italy

LIFE FITNESS Europe GmbH

Siemensstraße 3
85716 Unterschleißheim
GERMANY
Telephone: (+39) 02-55378611
Service: 800438836 (In Italy)
Fax: (+39) 02-55378699
Service Email: assistenza@lifefitness.com
Sales/Marketing Email: info@lifefitnessitalia.com
Operating Hours: 08:30 - 16:30h (CET)

All Other EMEA Countries & Distributor Business C-EMEA*

Bijdorplein 25-31
2992 LB Barendrecht
THE NETHERLANDS
Telephone: (+31) 180 646 644
Fax: (+31) 180 646 699
Service Email: service.db.cemea@lifefitness.com
Sales/Marketing Email:
marketing.db.cemea@lifefitness.com
Operating Hours: 9.00h-17.00h (CET)

ASIA PACIFIC (AP)

Japan

LIFE FITNESS Japan

Japan Nippon Brunswick Bldg., #8F
5-27-7 Sendagaya
Shibuya-Ku, Tokyo
Japan 151-0051
Telephone: (+81) 3.3359.4309
Fax: (+81) 3.3359.4307
Service Email: service@lifefitnessjapan.com
Sales/Marketing Email: sales@lifefitnessjapan.com
Operating Hours: 9.00h-17.00h (JAPAN)

China and Hong Kong

LIFE FITNESS Asia Pacific LTD

Room 2610, Miramar Tower
132 Nathan Road
Tsimshatsui, Kowloon
HONG KONG
Telephone: (+852) 2891.6677
Fax: (+852) 2575.6001
Service Email: HongKongEnquiry@lifefitness.com
Sales/Marketing Email:
ChinaEnquiry@lifefitness.com
Operating Hours: 9.00h-18.00h

All Other Asia Pacific countries & distributor business Asia Pacific*

Room 2610, Miramar Tower
132 Nathan Road
Tsimshatsui, Kowloon
HONG KONG
Telephone: (+852) 2891.6677
Fax: (+852) 2575.6001
Service Email: HongKongEnquiry@lifefitness.com
Sales/Marketing Email:
ChinaEnquiry@lifefitness.com
Operating Hours: 9.00h-18.00h

Also check www.lifefitness.com for local representation or distributor/dealer.

TABLE OF CONTENTS

1.	Important Safety Instructions	4
2.	Media Connections	9
3.	Installation	11
	Treadmills	11
	Models: 95T Elevation Inspire & 95T Elevation Discover SI	11
	Models: CLST & 97T Integrity Series	15
	Models: 91Ti & 90T	17
	Models: 97Ti, 95Ti & 93T	19
	Cross-Trainers	21
	Models: 95X Elevation Inspire & 95X Elevation Discover SI	21
	Model: CLSX Integrity Series	25
	Models: 95Xi, 93X & 90X	27
	Upright Lifecycle® Exercise Bikes	29
	Models: 95C/97C Elevation Inspire & 95C/97C Elevation Discover SI	29
	Model: CLSC Integrity Series	33
	Models: 95Ci, 93C & 90C	35
	Recumbent Lifecycle® Exercise Bikes	37
	Models: 95R Elevation Inspire & 95R Elevation Discover SI	37
	Model: CLSR Integrity Series	41
	Models: 95Ri, 93R & 90R	43
	Summit Trainers	45
	Model: CLSL Integrity Series	45
	Model: 95Li	46
	Stairclimbers	48
	Model: CLSS Integrity Series	48
	Models: 95Si, 93S & 90S	50

© 2013 Life Fitness, a division of Brunswick Corporation. All rights reserved.

Note: This equipment has been tested and found to comply with the limits for a Class B digital device pursuant to Part 15 of the FCC Rules. These limits are designed to provide reasonable protection against harmful interference in a residential installation. This equipment generates, uses, and can radiate radio frequency energy and, if not installed and used in accordance with the instructions, may cause harmful interference with radio communications. However, there is no guarantee that interference will not occur in a particular installation. If this equipment does cause harmful interference to radio or television reception, which can be determined by turning the equipment off and on, the user is encouraged to try to correct the interference by one or more of the following measures:

- Reorient or relocate the receiving antennas.
- Increase the separation between the equipment and receiver.
- Connect the equipment into an outlet on a circuit different from that to which the receiver is connected.
- Consult the dealer or an experienced radio/TV technician for help.



CAUTION: Any changes or modifications to this equipment could void the product warranty.

Mise en garde : tout changement ou toute modification de ce matériel peut annuler la garantie du produit.

Any service, other than cleaning or user maintenance, must be performed by an authorized service representative.

IMPORTANT SAFETY INSTRUCTIONS

Read all instructions before using LIFE FITNESS products.

- **DANGER:** To reduce the risk of electrical shock, always unplug this Life Fitness product before cleaning or attempting any maintenance activity.
- **WARNING:** To reduce the risk of burns, fire, electric shock, or injury, it is imperative to connect each product to a properly grounded electrical outlet.
- **WARNING:** To prevent injury, this product must be securely attached in accordance with the installation instructions.
- Never operate a Life Fitness product if it has a damaged power cord or electrical plug, or if it has been dropped, damaged, or even partially immersed in water. If this occurs, contact Life Fitness Customer Support Services as outlined on page one of this manual.
- Position this product so that the AC power cord plug is accessible to the user.
- Keep the power cord away from heated surfaces. Do not pull the equipment by the power cord or use the cord as a handle.
- If the electrical supply cord is damaged, it must be replaced by the manufacturer, an authorized service agent, or a similarly qualified person to avoid a hazard.
- Always follow the product instructions for proper operation.
- Never insert objects into any opening of the Life Fitness product. If an object should drop inside, unplug this Life Fitness product and carefully retrieve it while the unit is not in use. If the object cannot be reached, contact Life Fitness Customer Support Services.
- Do not use this product outdoors, near swimming pools or in areas of high humidity. Do not expose this product to dripping or splashing liquids. If the product should be exposed to liquid, contact Life Fitness Customer Support Services.
- Never operate a Life Fitness product with the air openings blocked. Keep air openings free of lint, hair, or any obstructing material.
- Use this product only for its intended use as described in this manual. Do not use attachments that have not been recommended by the manufacturer.

SAVE THESE INSTRUCTIONS FOR FUTURE REFERENCE.

CONSIGNES DE SÉCURITÉ IMPORTANTES

Lire toutes les instructions avant d'utiliser les appareils LIFE FITNESS.

- **DANGER:** Pour réduire les risques de décharge électrique, toujours débrancher cet appareil Life Fitness avant le nettoyage ou toute mesure d'entretien.
- **AVERTISSEMENT:** Pour réduire les risques de brûlures, d'incendies, de décharges électriques ou de blessures, chaque appareil doit absolument être branché sur une prise électrique correctement mise à la terre.
- **AVERTISSEMENT:** Pour prévenir les blessures, ce produit doit être solidement fixé, conformément aux instructions d'installation.
- Ne jamais faire fonctionner un produit Life Fitness dont la fiche ou le cordon d'alimentation est endommagé, ni aucun appareil qui serait tombé ou aurait été endommagé ou même partiellement plongé dans l'eau. Si cela se produit, communiquer avec le service à la clientèle de Life Fitness comme indiqué sur une page de ce manuel
- Placer l'appareil de façon à ce que l'utilisateur ait accès à la fiche du cordon d'alimentation.
- Tenir le cordon d'alimentation à l'écart de toute surface chauffée. Ne pas tirer l'appareil par le cordon d'alimentation; ne pas utiliser le cordon comme poignée.
- Si le cordon d'alimentation électrique est endommagé, il doit être remplacé par le fabricant, par un réparateur agréé ou par une personne qualifiée afin d'éviter tout danger.
- Toujours suivre les instructions sur le produit pour s'assurer de son fonctionnement adéquat.
- Ne jamais insérer aucun objet dans les ouvertures du produit Life Fitness. Si un objet tombe à l'intérieur du produit Life Fitness, le débrancher et extraire l'objet soigneusement pendant que l'appareil est débranché. S'il est impossible d'atteindre l'objet, communiquer avec le service à la clientèle de Life Fitness.
- Ne pas utiliser ce produit à l'extérieur, près d'une piscine ou dans des endroits très humides. Ne pas exposer ce produit à des liquides qui s'égouttent ni à des éclaboussures. Si le produit est en contact avec des liquides, communiquer avec le service à la clientèle de Life Fitness.
- Ne jamais faire fonctionner d'appareil Life Fitness dont les orifices d'aération seraient bloqués. Les garder exempts de peluches, de cheveux ou de toute obstruction.
- Utiliser ce produit uniquement pour les fins auxquelles il est destiné et de la manière décrite dans le présent manuel. Ne pas utiliser d'accessoires qui ne sont pas recommandés par le fabricant.

CONSERVER CES INSTRUCTIONS POUR TOUT USAGE ULTÉRIEUR.

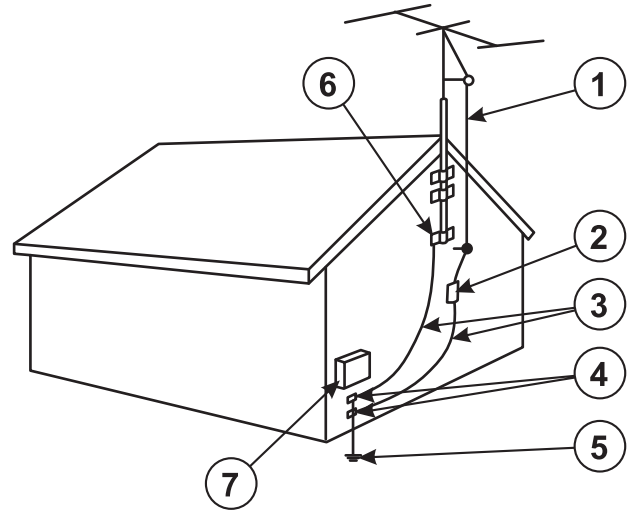
NOTE TO THE CATV INSTALLER

This reminder is provided to call the CATV system installer's attention to Article 820-40 of the NEC that provides guidelines for proper grounding and, in particular, specifies that the cable ground shall be connected to the grounding system of the building as close to the point of cable entry as practical.

Antenna Grounding According to the NEC

Antenna Grounding According to the National Electrical Code, ANSI/NFPA 70.

1. Antenna lead in wire
2. Antenna discharge unit (NEC Section 810-20)
3. Grounding conductors (NEC Section 810-21)
4. Ground clamp
5. Power service grounding electrode system (NEC Article 250, Part H)
6. Ground clamp
7. Electric service equipment



REMOTE CONTROL CONFIGURATION

Tools Required: Metric Allen Set

Mount the PIVOT DISC (A) and FRONT BRACKET (B) to the back of the REMOTE CONTROL (C) using one SCREW (D). Leave the screw loose at this time.

Select a user accessible location to mount the remote control. Position the remote with bracket at the desired location. Pivot the remote as necessary for optimal user access.

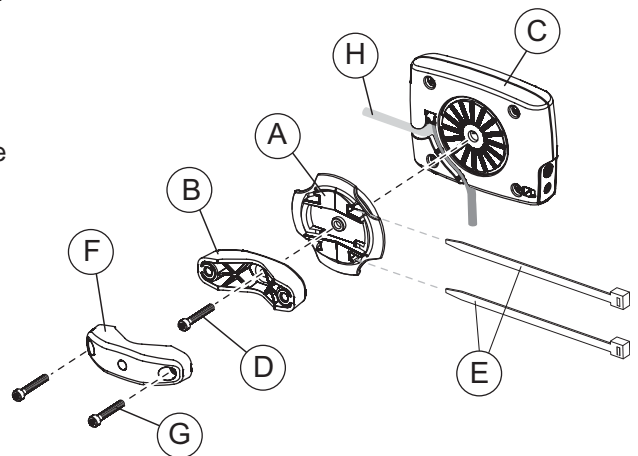
Note: If the desired location is such that the bracket will not work for mounting, remove the front bracket and reinstall the pivot disc. The remote can now be installed using the two CABLE TIES (E) or fastener discs provided with the remote. Be sure the pivot disc is oriented to accommodate the mounting surface.

Tighten the screw to secure the pivot disc and front bracket to the remote.

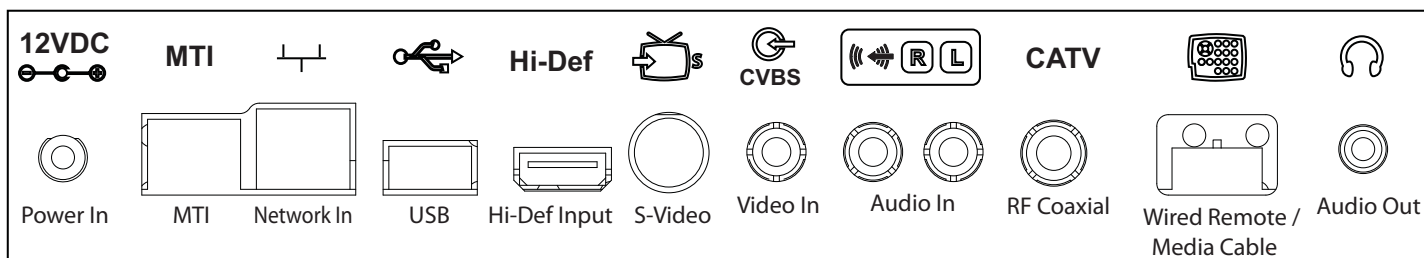
Reposition the remote with bracket in the desired location and secure the remote to the equipment using the REAR BRACKET (F) and two SCREWS (G). Tighten the screws securely.

Note: Two differing length of SCREWS (G) are included to accommodate various mounting thicknesses.

Note: The REMOTE CABLE (H) can be routed through any of two cable routing channels in the back of the remote or around the pivot disc.

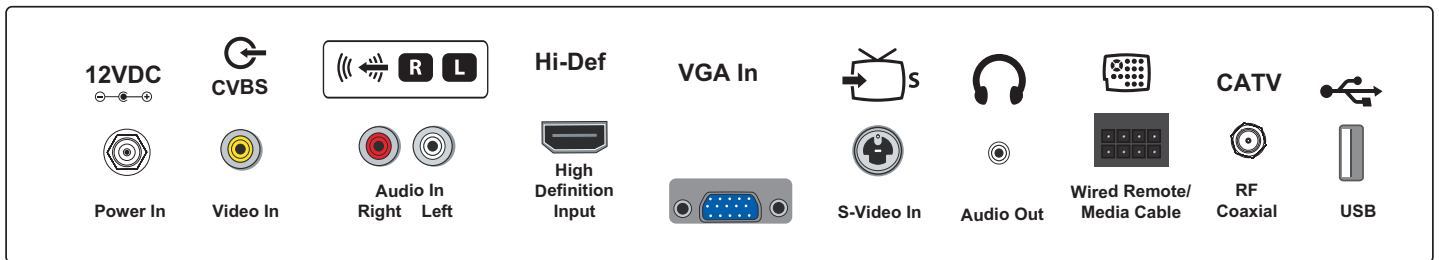


MEDIA CONNECTIONS: NTSC / ATSC / QAM WITH PRO:IDIOM



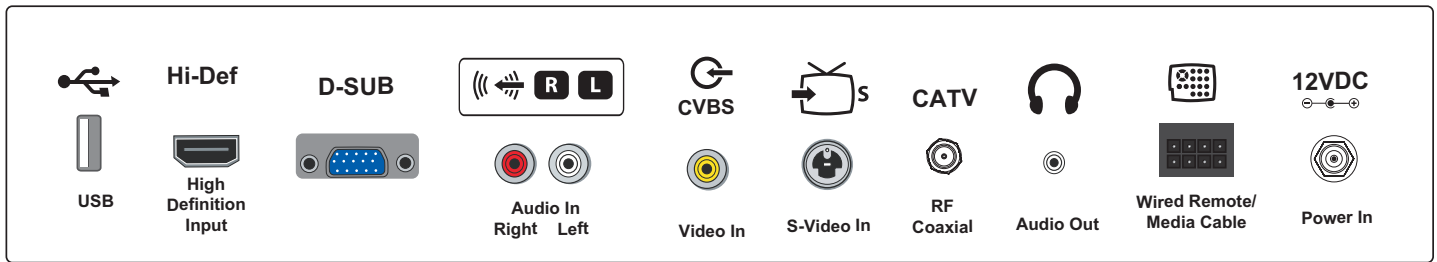
	Description	Connector Type
Power In	12 Volt DC Power In	Power Jack
MTI	Lodgenet Box Connection	RJ45
Network In	Internet Connection	RJ45
USB	USB Flash Drive	USB Type A
High-Definition Input	High-Definition Audio & Video Connection	High-Definition
S-Video	S-Video Signal In	S-Video
Video In	Video In	RCA (<i>yellow</i>)
Audio In	Stereo Line In	RCA (<i>red and white</i>)
RF Coaxial	Antenna / Cable Connection	RF F-Type
Wired Remote / Media Cable	Wired Remote Control Connection	Remote Control
Audio Out	Headphone Connection	3.5mm stereo jack, 0.3W

MEDIA CONNECTIONS: NTSC / ATSC / QAM



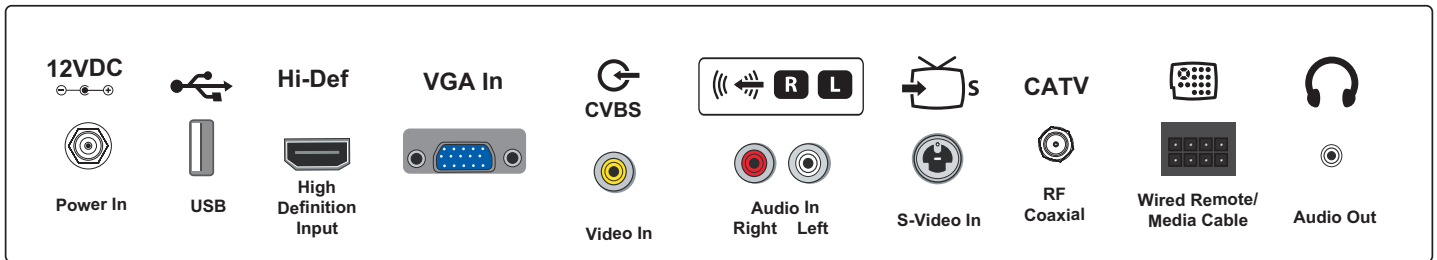
	Description	Connector Type
Power In	12 Volt DC Power In	Power Jack
Video In	Video In	RCA (yellow)
Audio In	Stereo Line In	RCA (red and white)
High-Definition Input	High-Definition Audio & Video Connection	High-Definition
VGA In	PC-Video Connection	VGA
S-Video In	S-Video Signal In	S-Video
Audio Out	Headphone Connection	3.5mm stereo jack, 0.3W
Wired Remote / Media Cable	Wired Remote Control Connection	Remote Control
RF Coaxial	Antenna / Cable Connection	RF F-Type
USB	USB Flash Drive	USB Type A

MEDIA CONNECTIONS: NTSC / ISDB-T



	Description	Connector Type
USB	USB Flash Drive	USB Type A
High Definition Input	High-Definition Audio & Video Connection	High-Definition
D-SUB	PC-Video Connection	VGA
Audio In	Stereo Line In	RCA (red and white)
Video In	Video In	RCA (yellow)
S-Video In	S-Video Signal In	S-Video
RF Coaxial	Antenna / Cable Connection	RF F-Type
Audio Out	Headphone Connection	3.5mm stereo jack, 0.3W
Wired Remote / Media Cable	Wired Remote Control Connection	Remote Control
Power In	12 Volt DC Power In	Power Jack

MEDIA CONNECTIONS: PAL / SECAM / DVB-T2



	Description	Connector Type
Power In	12 Volt DC Power In	Power Jack
USB	USB Flash Drive	USB Type A
High-Definition Input	High-Definition Audio & Video Connection	High-Definition
VGA In	PC-Video Connection	VGA
Video In	Video In	RCA (yellow)
Audio In	Stereo Line In	RCA (red and white)
S-Video In	S-Video Signal In	S-Video
RF Coaxial	Antenna / Cable Connection	RF F-Type
Wired Remote / Media Cable	Wired Remote Control Connection	Remote Control
Audio Out	Headphone Connection	3.5mm stereo jack, 0.3W

INSTALLATION

Models: 95T Elevation Inspire & 95T Elevation Discover SI

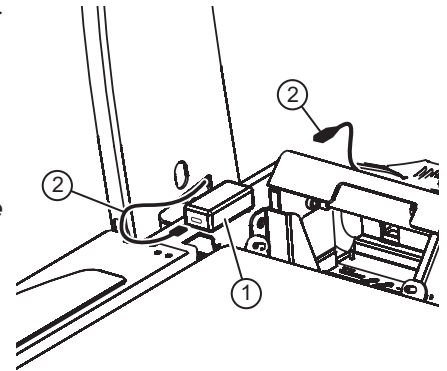
Tools Required: Phillips Screwdriver, Metric Allen Set, M16 & M17 Wrench

Parts Not Used From Kit: (1) Main Bracket Cap, (1) Grommet

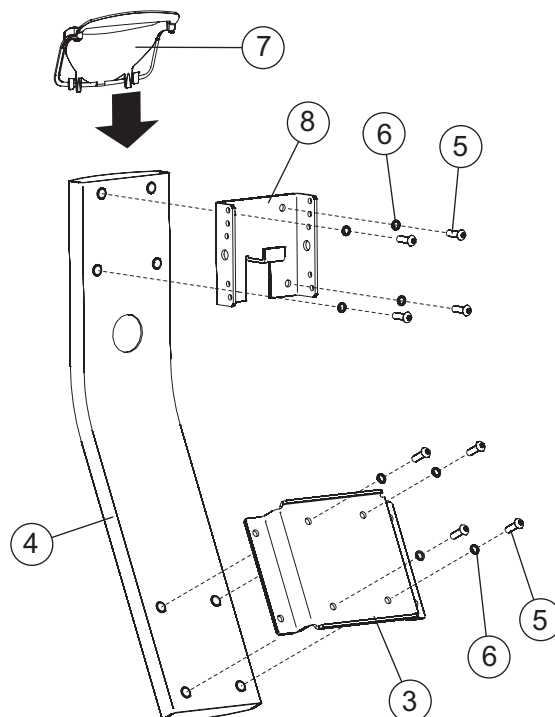
1. Turn off the treadmill and unplug it from the power outlet.

For 95T Elevation Inspire Units Only:

- 1a. Remove the six screws securing the motor cover. Remove the motor cover and set it and the screws aside.
- 1b. Remove the protective liner from one of the provided fastener strips. Attach the fastener strip to the bottom of the POWER BLOCK (1). Interlock the remaining fastener strip to the installed fastener strip. Remove the remaining protective liner from fastener strip and secure the power block to the frame as shown.
- 1c. Plug the POWER CORDS (2) leading from the motor compartment and left upright into their respective ends of the POWER BLOCK (1). Feed excess cable into the left upright.
- 1d. Re-install the motor cover using the six previously removed screws.



2. Attach the LOWER MOUNTING BRACKET (3) to the MAIN BRACKET (4) as shown using four SCREWS (5) and WASHERS (6) each. Tighten the screws securely (8-10 ft. lbs.).
3. Slide the NEW BRACKET COVER (7) over the top end of the MAIN BRACKET (4) and down to meet the LOWER MOUNTING BRACKET (3) as shown.
4. Attach the TV BRACKET (with bent tab) (8) to the MAIN BRACKET (4) as shown using four SCREWS (5) and WASHERS (6). Tighten the screws securely (8-10 ft. lbs.).

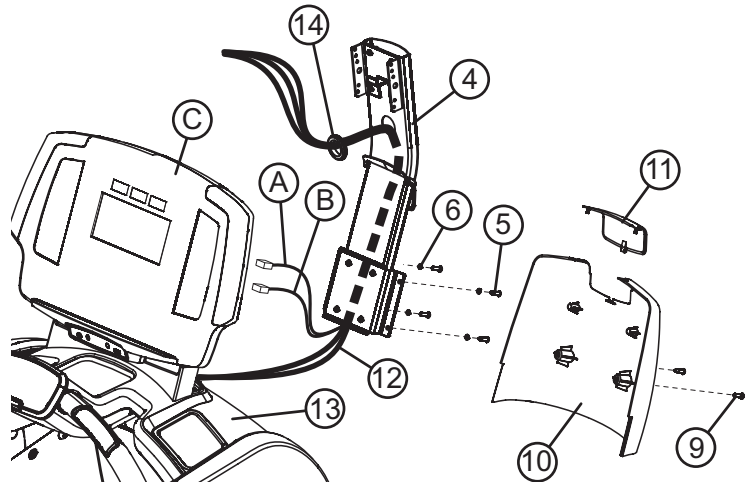


5. Remove the two SCREWS (9) securing the REAR CONSOLE COVER (10) to the frame. Remove the rear console cover. Remove the TOP INSERT (11) from the rear console cover and discard. Set the rear console cover aside.

6. Console Cable Connections

For 95T Elevation Inspire Units Only:

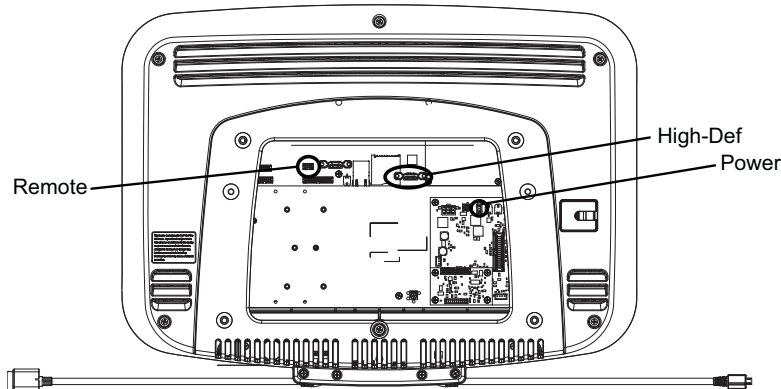
- 6a. Carefully pull the MEDIA CABLE BUNDLE (12) (Power and Coaxial) from inside the CONSOLE BRIDGE (13). Unbundle and straighten the media cables.
- 6b. Install the coaxial extension coupler and coaxial extension cable.
- 6c. Connect the I-R REMOTE CONTROL (A) and VIDEO (B) CABLES to the back of the DISPLAY CONSOLE (C).
- 6d. Tape the ends of all CABLES (Power, Coaxial, I-R Remote Control, Video) together.



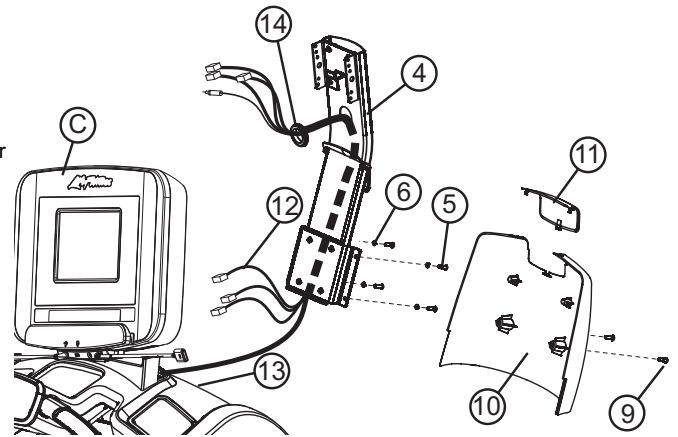
For 95T Elevation Discover SI Units Only:

Note: Only the COAXIAL CABLE is inside the CONSOLE BRIDGE.

- 6a. Attach the three MEDIA CABLES (12) to the back of the Discover SI CONSOLE (C) as shown below.



Treadmill Elevation Discover SI Console

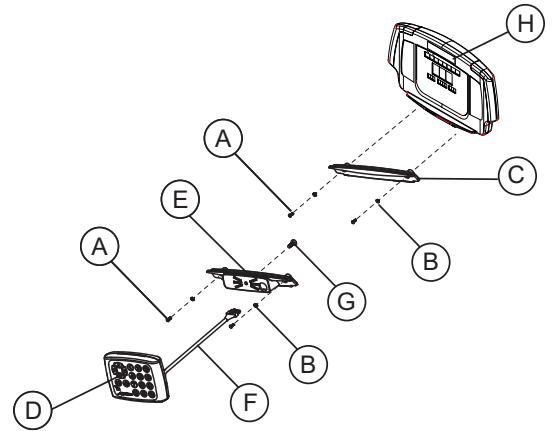


7. Hold the MAIN BRACKET ASSEMBLY (4) close to the CONSOLE BRIDGE (13) as shown. With the holes facing upward, feed the taped end of the MEDIA CABLES (12) through the bottom of the main bracket assembly and out of the upper hole as shown. Carefully pull excess media cable through the main bracket assembly.
8. Slide one GROMMET (14) over the taped end of the MEDIA CABLES (12). Install the grommet into the top access hole.
9. Tilt the MAIN BRACKET ASSEMBLY (4) upward and align the LOWER MOUNTING BRACKET (3) holes with those in the console bracket posts. Secure the MAIN BRACKET ASSEMBLY using four SCREWS (5) and WASHERS (6). Tighten the screws securely (8-10 ft. lbs.).

CAUTION: Raise the BRACKET COVER (7) to meet the exiting MEDIA CABLES before mounting the MAIN BRACKET ASSEMBLY.

For Achieve Console Units Only:

- a. Remove the two SCREWS (A) and WASHERS (B) securing the BOTTOM INSERT (C). Remove the BOTTOM INSERT. Do not discard the SCREWS and WASHERS.
- b. Locate the REMOTE CONTROL (D) and REMOTE BRACKET (E). Feed the REMOTE CABLE (F) through the large access hole in the REMOTE BRACKET (E). With the REMOTE CONTROL (D) and REMOTE BRACKET (E) oriented as shown, secure them together using one SCREW. (G) Tighten the screw securely.
- c. Carefully feed the REMOTE CABLE (F) through the opening in the bottom of the CONSOLE (H) and through the back of the console. Position the REMOTE BRACKET (E) into position replacing the BOTTOM INSERT (C). Secure the REMOTE BRACKET (E) using the previously removed SCREWS (A) and WASHERS (B).

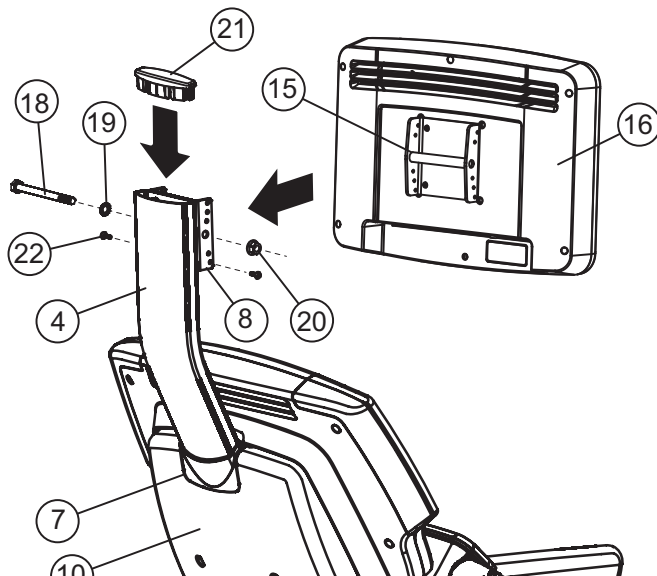
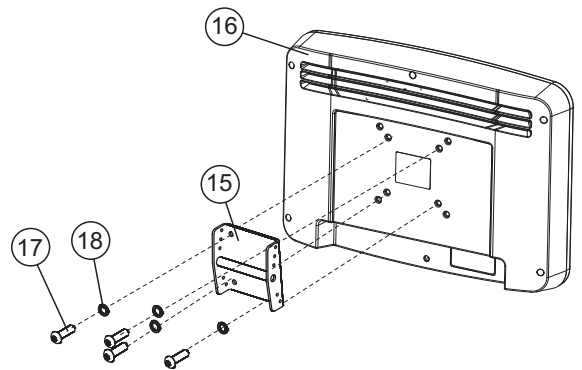


10. With the remaining TV BRACKET (15) oriented as shown, install it to the back of the ATTACHABLE TV (16) using four SCREWS (17) and WASHERS (18). Tighten the screws securely (8-10 ft. lbs.).

Note: Be sure the side holes of the TV bracket are oriented as shown.

11. Position the TV BRACKETS (8 & 15) together as shown and secure them together using one BOLT (18), WASHER (19) and NUT (20). Leave the bolt and nut loose at this time.

Note: Be sure the PIVOT POST of the TV BRACKET engages onto TV BRACKET (8).



12. Connect all cables to their corresponding jacks located on the bottom of the TV (16). *Remove the tape from the end of the MEDIA CABLES (Power, Coaxial, I-R Remote Control, Video).*

See the *Media Connections* pages in this manual for detailed information. Feed any excess media cable into the MAIN BRACKET (4).

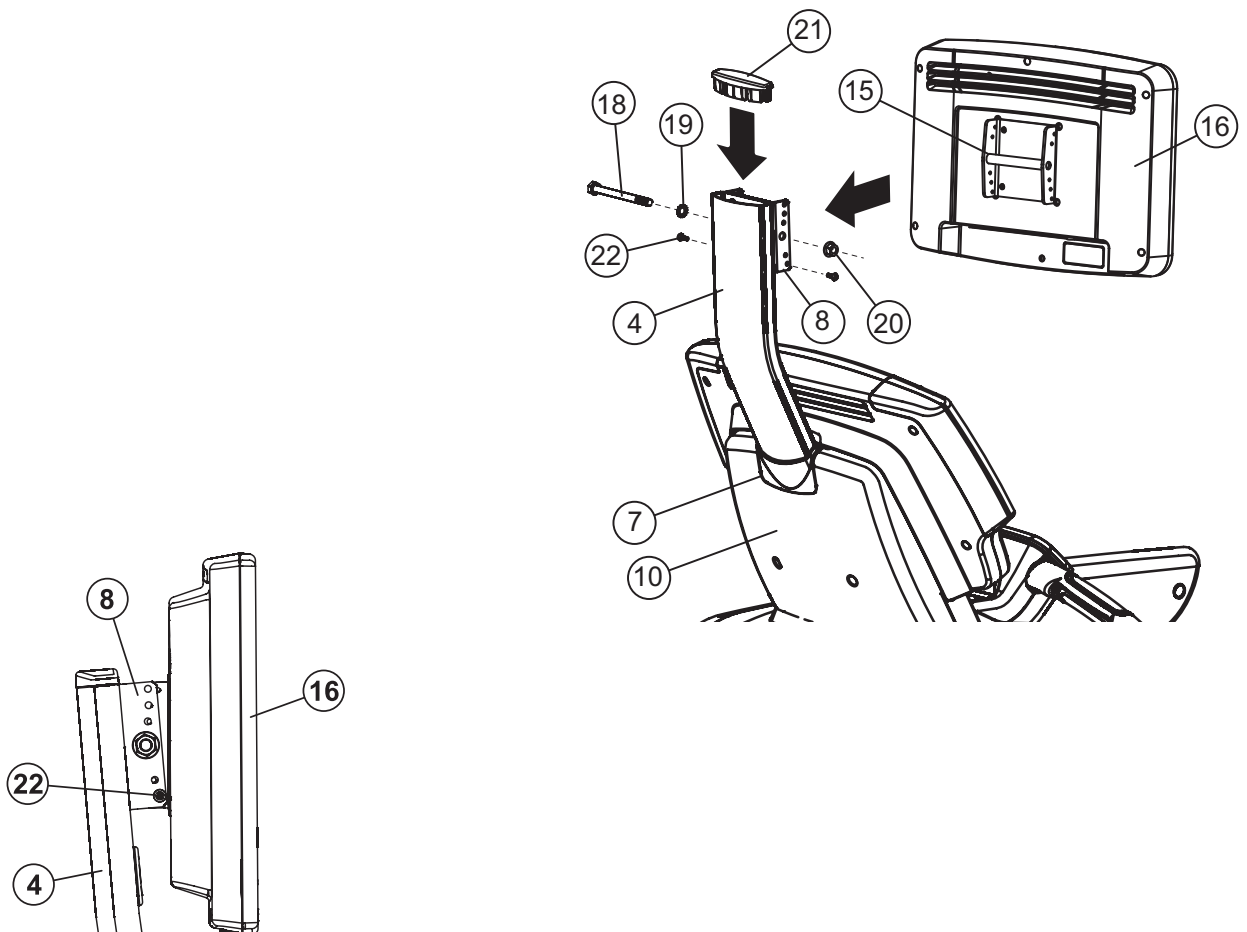
13. Install the TOP MAIN BRACKET CAP (21) to the top of the MAIN BRACKET ASSEMBLY (4).

14. Replace the REAR CONSOLE COVER (10) and secure it using the previously removed two SCREWS (9). Tighten the screws securely (8-10 ft. lbs.). Do not overtighten the screws.

15. Slide the BRACKET COVER (7) down to meet the REAR CONSOLE COVER (10). Snap the BRACKET COVER into the REAR CONSOLE COVER.

16. Align the lowest side holes on the TV BRACKETS (8 & 15). Secure the TV BRACKET into proper position using one SCREW (22) on each side.

17. Plug in the treadmill and power on the treadmill and TV. Refer to the *ATTACHABLE Operation Manual* for proper TV setup.

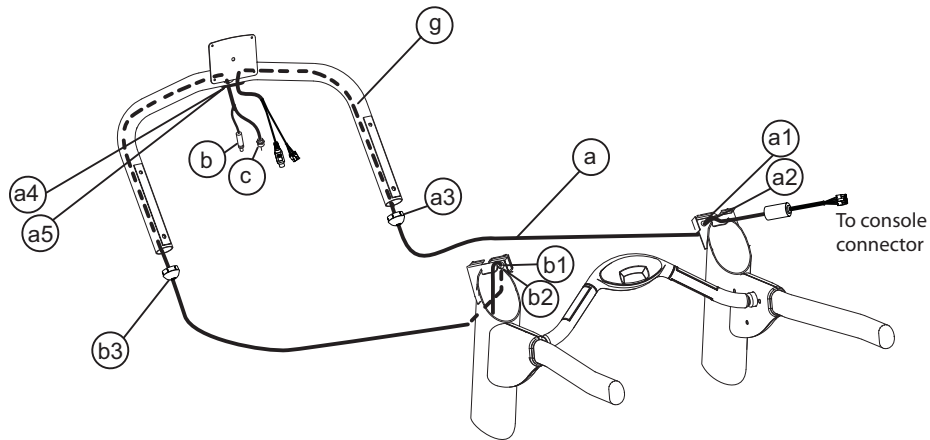


Models: CLST & 97T (Integrity Series)

Tools Required: Standard Screwdriver, Phillips Screwdriver, Metric Hex Key Set, Side Cutters

Note: Proceed with the following steps immediately after attaching the DISPLAY CONSOLE as described in the *Integrity Series Assembly Instructions*. Do not install the ACCESSORY TRAYS.

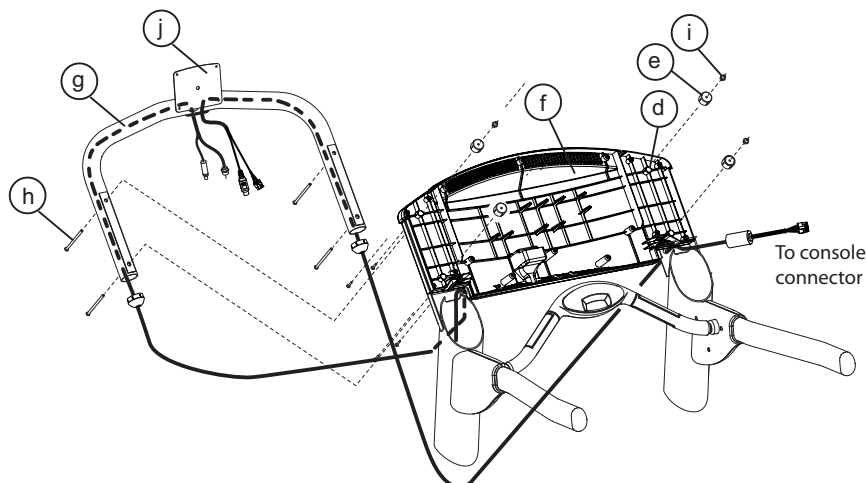
1. Insert one end of the AUDIO / VIDEO / I-R CABLE ASSEMBLY (a) into the console connector. Route the other end through the HOLE (a1) on the right upright and through the GROMMET (a2). Continue routing the cable assembly through the hole of the TV MOUNTING BRACKET END CAP (a3), through the TV MOUNTING BRACKET TUBE (g), and exiting through the CENTER HOLE (a4) of the TV MOUNTING BRACKET TUBE (g).
2. Route the POWER SUPPLY CORD (b) and COAXIAL CABLE (c) through the left upright, out the HOLE (b1) on the left upright and through the GROMMET (b2). Route the cable through the hole of the TV MOUNTING BRACKET END CAP (b3), through the TV MOUNTING BRACKET TUBE (g), and exiting through the CENTER HOLE (a4) of the TV MOUNTING BRACKET TUBE (g). Install a GROMMET (a5) onto the CENTER HOLE (a4).



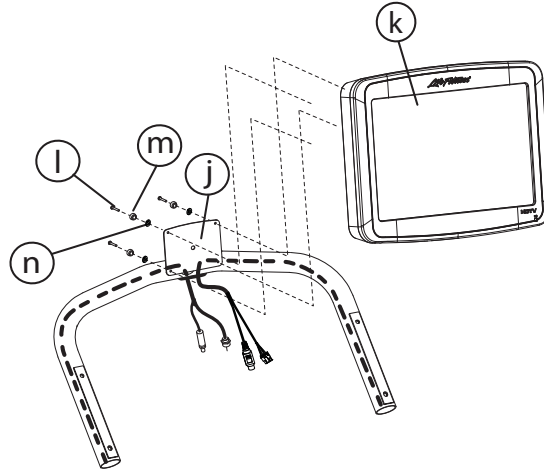
3. If through-holes in the four CONSOLE BOSSES (d) are not present, use a 5/16" drill from the top center of the four console bosses to create through-holes. **Note:** Be careful not to damage the threads of the brass inserts when drilling the through-holes in the console bosses (d).

CAUTION: Wear eye safety equipment when drilling the through-holes in the console bosses.

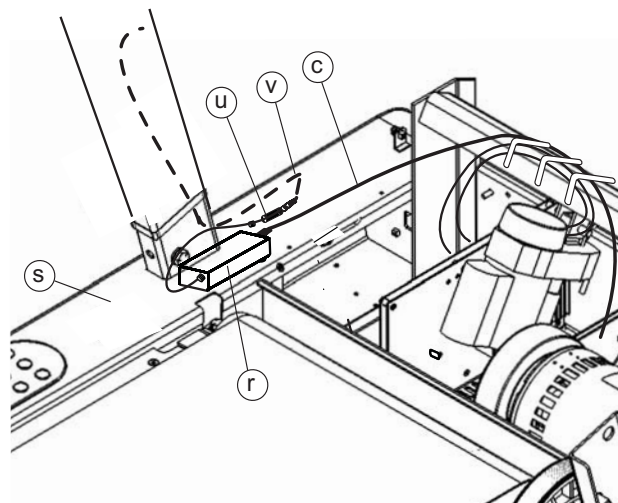
4. Locate the four RETAINING SPACERS (e). Position the RETAINING SPACERS over the CONSOLE BOSSES (d) as shown. Be sure the RETAINING spacers are fully nested over the structural ribs inside the REAR CONSOLE (f).
5. Position the BRACKET TUBE (g) with the TV MOUNTING BRACKET PLATE (j) facing upward. Position two SCREWS (h) on either side through the CONSOLE BOSSES (d). Install four NYLOCK NUTS (i) onto the installed SCREWS (h) securing the RETAINING SPACERS (e) and BRACKET TUBE (g) to the REAR CONSOLE. Tighten the NYLOCK NUTS securely. Do not overtighten the NYLOCK NUTS.



6. Attach the ATTACHABLE TV (k) to the MOUNTING BRACKET (j) using four SCREWS (l), WASHERS (m), and SHOULDER NYLON WASHERS (n). Tighten the SCREWS to 6-8 in-lbs. Do not overtighten the SCREWS.



7. Connect the AUDIO / VIDEO / I-R REMOTE CONTROL CABLE (a), POWER SUPPLY CORD (b), and the COAXIAL CABLE (c), to the rear of the ATTACHABLE TV (k). See the *Media Connections* pages in this manual for detailed information.
8. Remove the motor shroud and the front cable tie.
9. Mount the POWER ADAPTER (r) inside the open space next to the motor control board using DOUBLE SIDED TAPE. Connect the SCREW-TYPE CONNECTOR (u) of the POWER ADAPTER to the pre-wired TV POWER CABLE (v). Bundle excess power cord and store inside the left upright. Connect the POWER SUPPLY CORD (c) to the POWER ADAPTER (r).
10. Replace the motor shroud using the screws provided.
11. Connect the COAXIAL CABLE (c) to the broadcast supply in a similar fashion.
- Note:** Be sure to leave 12" of excess coaxial cable between the floor and the coaxial connection on the unit to accommodate elevation of the unit.
12. Continue with the remainder of assembly as instructed in the *Integrity Series Assembly Instructions*. Plug the POWER SUPPLY CORD into an electrical outlet upon completion.



Models: 91TI & 90T

Tools Required: Standard Screwdriver, Phillips Screwdriver, Metric Hex Key Set, Side Cutters

Note: Proceed with the following steps immediately after attaching the DISPLAY CONSOLE as described in the 91Ti, 90T Treadmill Assembly Instructions. Do not install the ACCESSORY TRAYS or PUSH RIVETS.

1. Remove the nine SCREWS (a) from the rear of the console securing the FRONT CONSOLE (b) to the REAR CONSOLE (c). Carefully lift the front console. Set the front console and screws aside.

2. Route the MAIN WIRE HARNESS (D), POWER CORD (d), and COAXIAL CABLE (e) through the LARGE CABLE CLIP (f) located at the left inside of the REAR CONSOLE (c). Route the power cord and coaxial cable through the large CABLE CLIP (f) located at the center inside of the rear console. Continue routing the power cord and coaxial cable through the notch at the top of the rear console.

3. Locate the REMOTE CONTROL (g). Configure the REMOTE CONTROL for a vertical (c-v) installation. Secure the REMOTE CONTROL to the left end of the ERGO CROSSBAR (13) as shown. Be sure the CABLE TIES (c-v) are pulled tight and trim the excess cable ties.

4. Route the REMOTE CABLE (h) along the LEFT HANDLEBAR (1). Secure the REMOTE CABLE using two CABLE TIES (j) at the locations shown. Be sure the cable ties are pulled tight and trim the excess cable ties. Route the remaining REMOTE CABLE through the CABLE CLIP (k) located on the bottom left of the REAR CONSOLE (c) and up through the left access panel. Route the REMOTE CABLE through the LARGE CABLE CLIP (f) located at the center inside of the rear console. Continue routing the REMOTE CABLE through the notch at the top of the rear console.

5. Connect the MAIN WIRE HARNESS (D) and HANDLEBAR WIRE HARNESS (B) to the back of the FRONT CONSOLE (b). With the POWER CORD (d), COAXIAL CABLE (e) and REMOTE CABLE (h) oriented in the top console notch as shown, secure the FRONT CONSOLE (b) using the nine previously removed SCREWS (a). Tighten the screws securely. Replace the access panels.

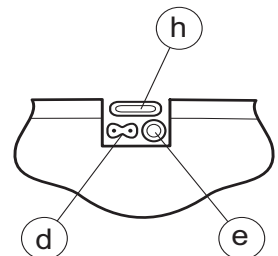
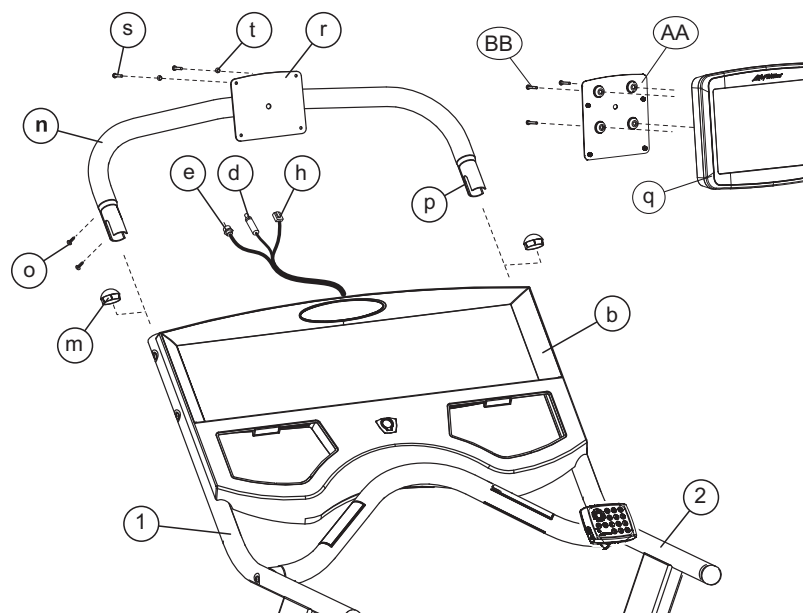
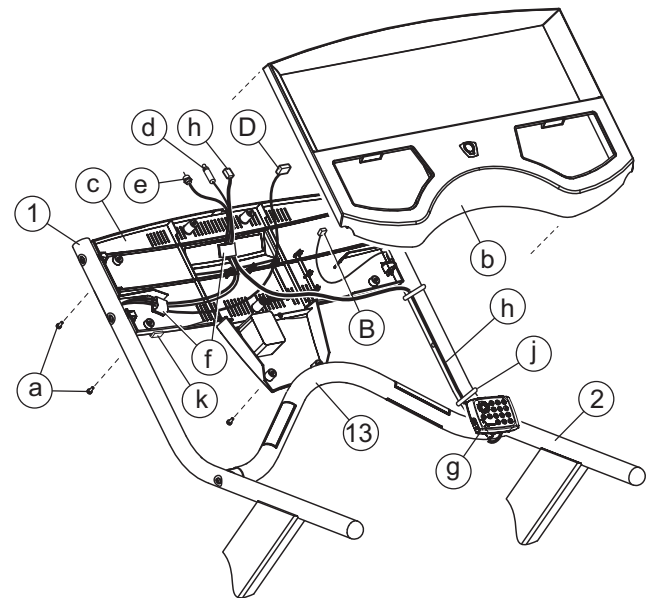
Note: Be careful not to pinch the REMOTE CABLE (h) when replacing the access panels.

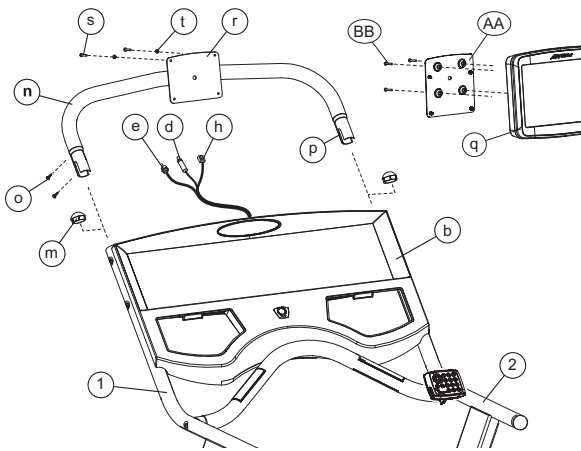
6. Install the ACCESSORY TRAYS as instructed in the Assembly Instructions.

7. Remove the LEFT and RIGHT UPPER HANDLEBAR END CAPS (m) and discard them.

8. Position the BRACKET TUBE (n) as shown and slide the ends into the HANDRAILS (1 & 2) until fully seated.

9. Install the four SET SCREWS (o) into the BRACKET TUBE MOUNTING ARMS (p) and tighten the SET SCREWS securely. Do not overtighten the set screws.





10. Attach the ATTACHABLE TV (q) to the UPPER MOUNTING PLATE (r) using four SCREWS (s) and NYLON WASHERS (t). Tighten the SCREWS to 6-8 in-lbs. Do not overtighten the SCREWS.
11. Connect the COAXIAL CABLE (e), REMOTE CABLE (h), & POWER CORD (d) to the rear of the ATTACHABLE TV (q).

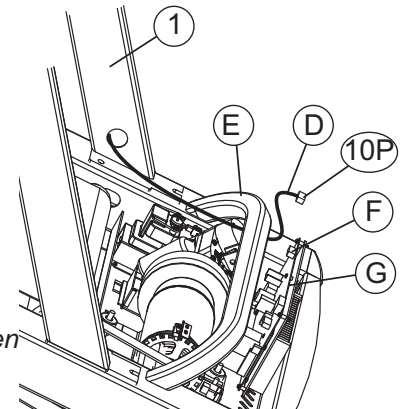
See the *Media Connections* pages in this manual for detailed information.

12. Unwrap the MAIN WIRE HARNESS (D) located at the base of the LEFT UPRIGHT (1). Route the MAIN WIRE HARNESS, POWER CABLE and COAXIAL CABLE under the CROSS FRAME MEMBER (E). Connect the 10-PIN CONNECTOR (10P) of the main wire harness to the corresponding JACK (F) located at the top of the CONTROL BOARD (G). Connect the console connectors as instructed in the Assembly Instructions and secure the FRONT CONSOLE (S) using the eight previously removed SCREWS (Q). Tighten the screws securely.

Note: All cables should be routed through the CABLE GUIDE (c) located at the lower left of the REAR CONSOLE (R).

13. Locate the COAXIAL COUPLER (u). Remove the RETAINING NUT (v) and two WASHERS (w & x) from the coupler. Insert the coupler into the large D-Slot located at the front of the MOTOR PAN (y). Secure the coupler using the two washers and retaining nut previously removed. Tighten the nut securely. Attach the COAXIAL CABLE (e) leading from the left upright to the top of the coupler. Attach the broadcast SUPPLY CABLE (z) to the bottom of the coupler.

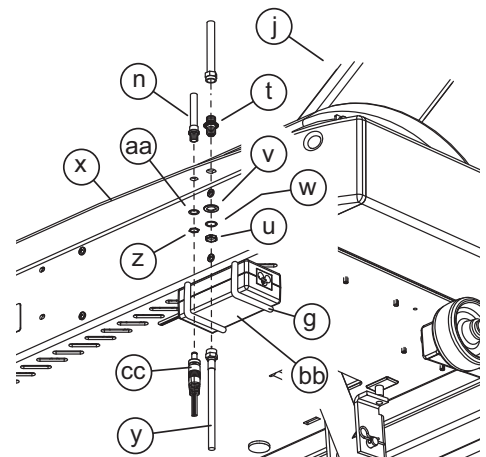
Note: Be sure to leave at least 12" of excess broadcast SUPPLY CABLE (z) between the floor and the coaxial connection on the unit to accommodate elevation of the unit.



14. Remove the RETAINING NUT (aa) and WASHER (bb) from the coupler end of the POWER CORD (d) leading from the left upright. Position the coupler into the small D-Slot located at the front of the MOTOR PAN (y). Secure the coupler using the washer and retaining nut previously removed. Tighten the nut securely. Mount the POWER ADAPTER (cc) to the bottom of the MOTOR PAN (y) using two CABLE TIES (j). Be sure the cable ties are pulled tight and trim the excess cable ties. Connect the screw-type connector of the POWER CORD (dd) to the underside of the power cord coupler. Bundle excess power cord and store under the unit.

Note: Be sure the POWER ADAPTER (cc) and CABLE TIES (j) do not interfere with the lift mechanism.

15. Connect the power supply cord to the POWER ADAPTER (cc).
16. Continue with the remainder of assembly as instructed in the Assembly Instructions. Plug the power supply cord into an electrical outlet upon completion.



Models: 97TI, 95TI, & 93T

Tools Required: Standard Screwdriver, Phillips Screwdriver, Metric Hex Key Set, Side Cutters

Note: Proceed with the following steps immediately after attaching the DISPLAY CONSOLE as described in the 97Ti, 95Ti Assembly Instructions and 93T Assembly Instructions. Do not install the ACCESSORY TRAYS.

1. Locate the CABLE CLIPS (a). Peel the backing off the adhesive strips and position the cable clips as shown. Press firmly on the cable clips to ensure proper adhesion.

2. Locate the REMOTE CONTROL (b). Configure the remote control for a vertical (c-v) installation. Secure the REMOTE CONTROL to the left end of the ERGO CROSSBAR (4) as shown. Be sure the CABLE TIES (c-v) are pulled tight and trim the excess cable ties.

3. Route the REMOTE CABLE (c) along the inside of the LEFT UPRIGHT (1), up through the CABLE GUIDE (d), through the CABLE CLIPS (a) and out the top of the REAR CONSOLE (R). Route the REMOTE CABLE around the console standoffs as shown.

4. With the POWER CORD (e), COAXIAL CABLE (f) and I-R REMOTE CONTROL CABLE (c) oriented in the top console notch as shown, connect the CONSOLE CONNECTORS as instructed in the Assembly Instructions. Secure the FRONT CONSOLE (S) using the 8 previously removed SCREWS (Q). Tighten the screws securely.

Note: ALL CABLES should be routed through the CABLE GUIDE (c) located at the lower left of the REAR CONSOLE (R).

5. If through-holes in the four CONSOLE BOSSES (g) are not present, use a 5/16" drill from the top center of the four console bosses to create through-holes.

Note: Be careful not to damage the threads of the brass inserts when drilling the through-holes in the console bosses (g).

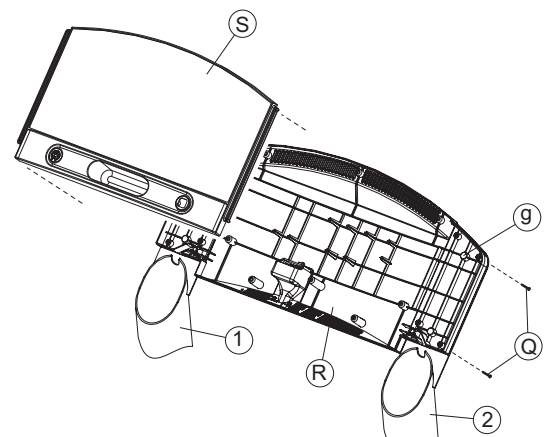
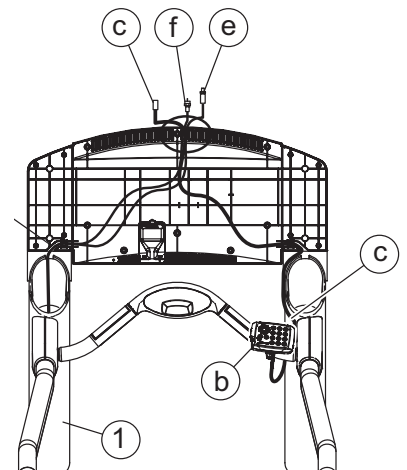
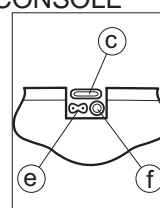
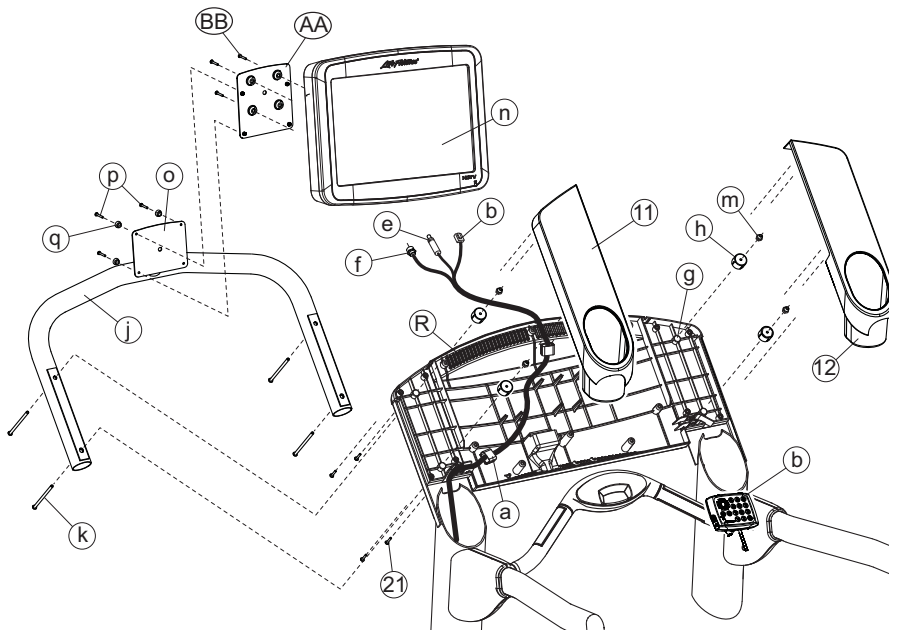
CAUTION: Wear eye safety equipment when drilling the through-holes in the console bosses.

6. Locate the four RETAINING SPACERS (h). Position the RETAINING SPACERS over the CONSOLE BOSSES (g) as shown. Be sure the RETAINING SPACERS are fully nested over the structural ribs inside the REAR CONSOLE (R).

7. Position the BRACKET TUBE (j) with the MOUNTING PLATE facing upward as shown. Position two SCREWS (k) on either side through the CONSOLE BOSSES (g). Install four NYLOCK NUTS (m) onto the INSTALLED SCREWS (k) securing the RETAINING SPACERS (h) and bracket tube to the rear console. Tighten the nylock nuts securely. Do not overtighten the nylock nuts.

8. Attach the ADAPTER BRACKET (AA) to the ATTACHABLE TV (n) to the using four SCREWS (BB). Tighten the SCREWS to 6-8 in-lbs. Do not overtighten the SCREWS.

Attach the ATTACHABLE TV to the MOUNTING BRACKET (o) using four SCREWS (p) and WASHERS (q). Tighten the SCREWS to 6-8 in-lbs. Do not overtighten the SCREWS.

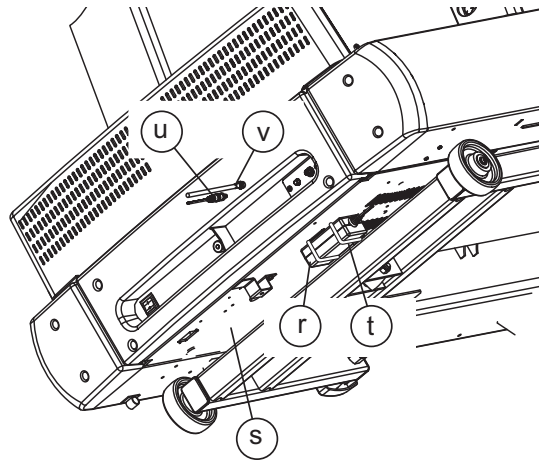


9. Connect the COAXIAL CABLE (f), REMOTE CABLE (b) and POWER cord (e) to the rear of the ATTACHABLE TV (n). See the *Media Connections* pages in this manual for detailed information.
10. Mount the POWER ADAPTER (r) to the bottom of the MOTOR PAN (s) using two CABLE TIES (t). Be sure the cable ties are pulled tight and trim the excess cable ties. Connect the screw-type connector of the POWER CORD (u) to the underside receptacle. Bundle excess power cord and store under the unit. Connect the COAXIAL CABLE (v) to the broadcast supply cable in similar fashion.

Note: Be sure the POWER ADAPTER (r) and CABLE TIES (t) do not interfere with the lift mechanism.

Note: Be sure to leave at least 12" of excess coaxial cable between the floor and the coaxial connection on the unit to accommodate elevation of the unit.

11. Connect the power supply cord to the POWER ADAPTER (r).
12. Continue with the remainder of assembly as instructed in the Assembly Instructions. Plug the power supply cord into an electrical outlet upon completion.



Models: 95X Elevation Inspire & 95X Elevation Discover SI

Tools Required: Phillips Screwdriver, Metric Allen Set, M16 & M17 Wrench

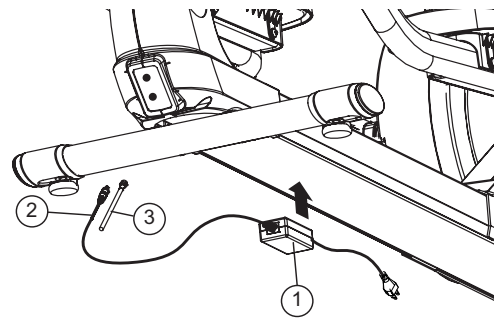
Parts Not Used From Kit: (1) Lower Mounting Bracket

For 95X Elevation Inspire Units Only:

- a. Remove the protective liner from one of the provided fastener strips. Attach the fastener strip to the bottom of the **POWER BLOCK** (1). Interlock the remaining fastener strip to the installed fastener strip. Remove the remaining protective liner from fastener strip and secure the power block to the underside of the **CENTER FRAME** as shown.

Connect the **SCREW-TYPE CONNECTOR** of the **POWER CORD** (2) to the underside receptacle. Bundle excess power cord and store under the unit. Connect the **COAXIAL CABLE** (3) to the broadcast supply receptacle in similar fashion.

- b. Connect the **POWER CORD** (2) to the **POWER BLOCK** (1).

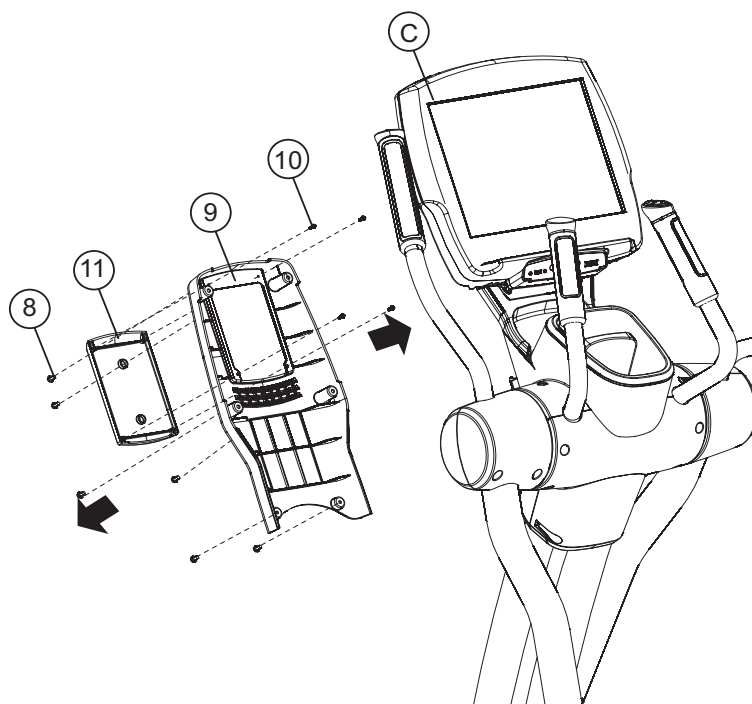
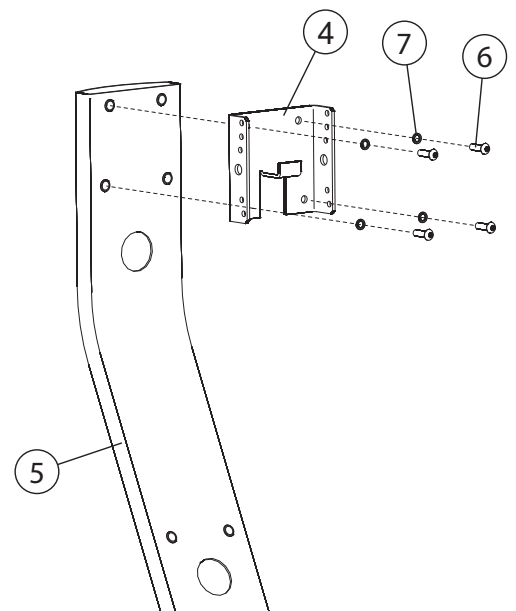


1. Attach the **TV BRACKET** (with bent tab) (4) to the **MAIN BRACKET** (5) as shown using four **SCREWS** (6) and **WASHERS** (7). Tighten the screws securely. (8-10 ft. lbs.)

2. Remove the six **SCREWS** (8) securing the **REAR CONSOLE COVER** (9) to the frame. Remove the rear console cover.

Remove the four **SCREWS** (10) securing the **INSERT** (11) as shown. Set the rear console cover aside.

Remove the **CONSOLE** (C).



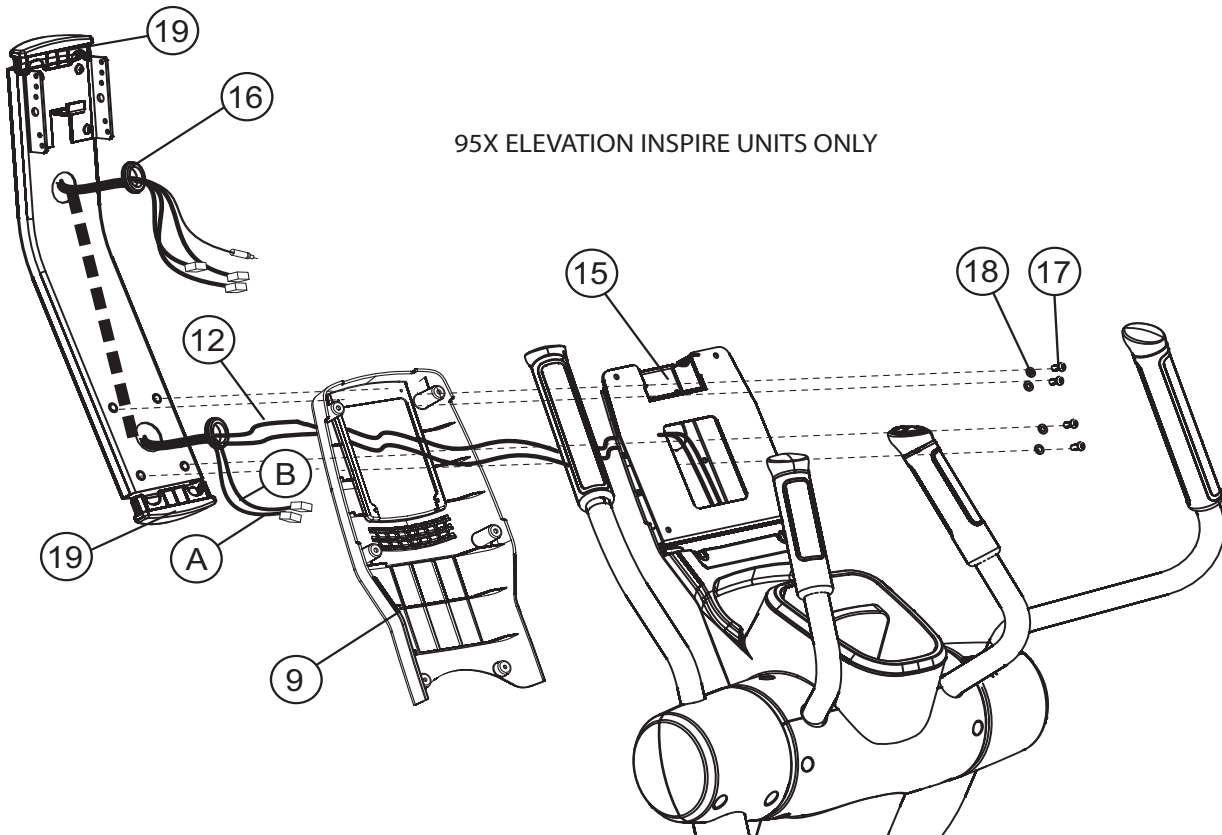
FOR 95X ELEVATION INSPIRE UNITS ONLY:

3. Cable Routing

- 3a. Carefully pull the MEDIA CABLE BUNDLE (12) (*Power and Coaxial*) from inside the CONSOLE BRACKET (15). Unbundle and straighten the media cables.
 - 3b. Install the coaxial extension coupler and coaxial extension cable.
 - 3c. Tape the ends of all CABLES (*Power, Coaxial, I-R Remote Control, Video*) together.
4. Feed the taped end of the MEDIA CABLES (12) through the large hole in the back of the CONSOLE BRACKET (15). Carefully pull excess media cable through the CONSOLE BRACKET.
5. Slide one GROMMET (16) over the taped end of the MEDIA CABLES (12).
6. Hold the MAIN BRACKET ASSEMBLY (5) close to the CONSOLE BRIDGE (13) as shown. With the holes facing upward, feed the taped end of the MEDIA CABLES (12) through the bottom large hole of the main bracket assembly and out of the upper hole as shown. Carefully pull excess media cable through the main bracket assembly.
7. Slide the remaining GROMMET (16) over the taped end of the MEDIA CABLES (12). Install the grommets into the access holes.
8. Install the MAIN BRACKET CAPS (19) to the top and bottom of the MAIN BRACKET ASSEMBLY (5).
9. Secure the MAIN BRACKET ASSEMBLY (5) using four SCREWS (17) and WASHERS (18) as shown. Tighten the screws securely. (8-10 ft. lbs.)

10. Connect Cables to Console

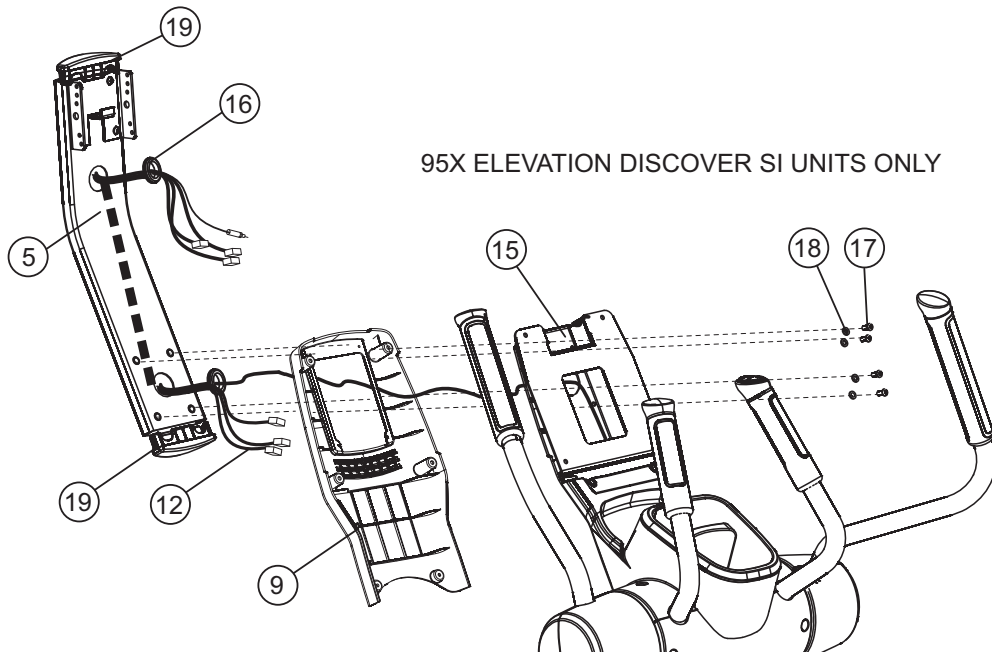
- 10a. Connect the I-R REMOTE CONTROL (A) and VIDEO (B) CABLES to the back of the DISPLAY CONSOLE.



FOR 95X ELEVATION DISCOVER SI UNITS ONLY:

3. Cable Routing

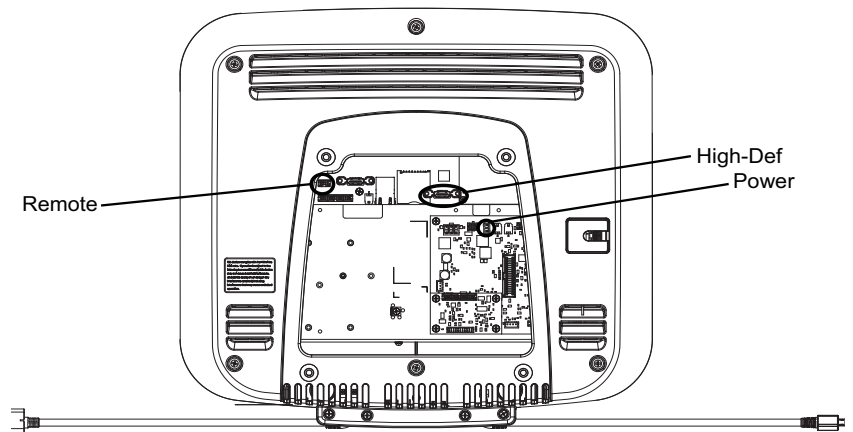
- 3a. Carefully pull the COAXIAL CABLE from inside the CONSOLE BRACKET (15).
 - 3b. Install the coaxial extension coupler and coaxial extension cable.
 - 3c. Tape the ends of all CABLES (*Power, Coaxial, I-R Remote Control, Video*) together.
- 4. Feed the taped end of the MEDIA CABLES (12) through the large hole in the back of the CONSOLE BRACKET (15). Carefully pull excess media cable through the CONSOLE BRACKET.
- 5. Slide one GROMMET (16) over the taped end of the MEDIA CABLES (12).
- 6. Hold the MAIN BRACKET ASSEMBLY (5) close to the CONSOLE BRACKET (15) as shown. With the holes facing upward, feed the taped end of the MEDIA CABLES (12) through the bottom large hole of the main bracket assembly and out of the upper hole as shown. Carefully pull excess media cable through the main bracket assembly.
- 7. Slide the remaining GROMMET (16) over the taped end of the MEDIA CABLES (12). Install the grommets into the access holes.
- 8. Install the MAIN BRACKET CAPS (19) to the top and bottom of the MAIN BRACKET ASSEMBLY (5).



- 9. Secure the MAIN BRACKET ASSEMBLY (5) using four screws (17) and WASHERS (18) as shown. Tighten the screws securely. (8-10 ft. lbs.)

10. Connect Cables to Console

- 10a. Attach the three MEDIA CABLES (12) to the back of the Discover SI CONSOLE as shown.



11. Tilt the DISPLAY CONSOLE back into place. Replace the REAR CONSOLE COVER (9) and secure it using the previously removed six SCREWS (8). Tighten the screws securely. (8-10 ft. lbs.). Do not overtighten the screws.

12. With the remaining TV BRACKET (20) oriented as shown, install it to the back of the ATTACHABLE TV (21) using four SCREWS (22) and WASHERS (23). Tighten the screws securely. (8-10 ft. lbs.)

Note: Be sure the side holes of the TV BRACKET are oriented as shown.

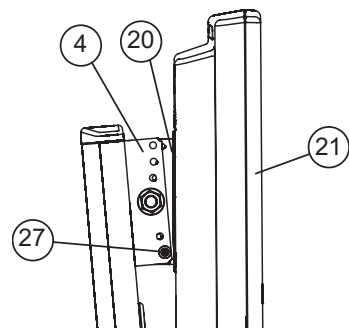
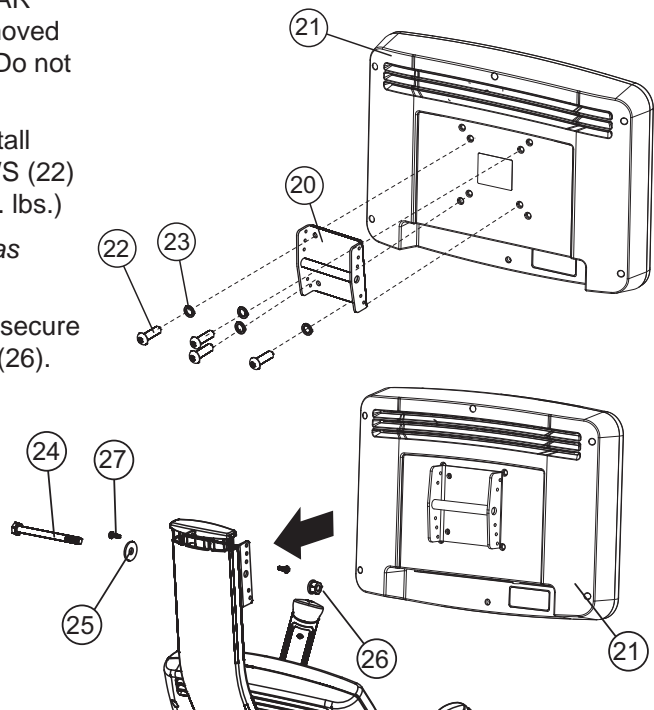
13. Position the TV BRACKETS (4 & 20) together as shown and secure them together using one BOLT (24), WASHER (25) and NUT (26). Leave the bolt and nut loose at this time.

Note: Be sure the PIVOT POST of the TV BRACKET engages onto the TV BRACKET.

14. Connect all cables to their corresponding jacks located on the bottom of the ATTACHABLE TV (21). See the *Media Connections* pages in this manual for detailed information.

15. Align the lowest side holes on the TV BRACKETS (4 & 20). Secure the TV bracket into proper position using one SCREW (27) on each side.

16. Plug in and power on the TV. Refer to the *ATTACHABLE TV Operation Manual* for proper TV setup.

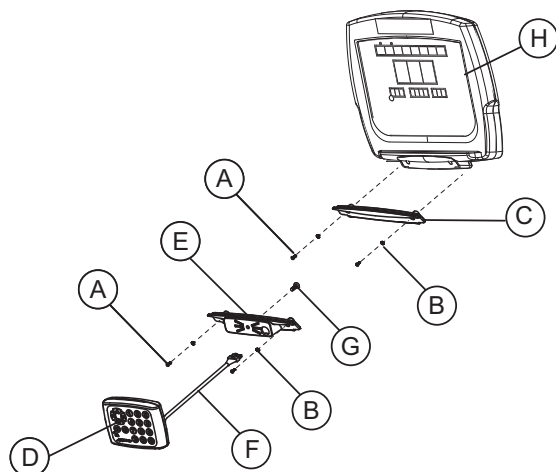


For Achieve Console Units Only:

a. Remove the two SCREWS (A) and WASHERS (B) securing the BOTTOM INSERT (C). Remove the BOTTOM INSERT. Do not discard the SCREWS and WASHERS.

b. Locate the REMOTE CONTROL (D) and REMOTE BRACKET (E). Feed the REMOTE CABLE (F) through the large access hole in the REMOTE BRACKET (E). With the REMOTE CONTROL (D) and REMOTE BRACKET (E) oriented as shown, secure them together using one SCREW (G). Tighten the screw securely.

c. Carefully feed the REMOTE CABLE (F) through the opening in the bottom of the CONSOLE (H) and through the back of the console. Position the REMOTE BRACKET (E) into position replacing the BOTTOM INSERT (C). Secure the REMOTE BRACKET using the previously removed SCREWS (A) and WASHERS (B).



Model: CLSX (Integrity Series)

Tools Required: Metric Hex Key Set, Screwdriver, Side Cutters, T-45 Torx Wrench

Note: Proceed with the following steps before attaching the DISPLAY CONSOLE as described in the *CLSX Assembly Instructions*.

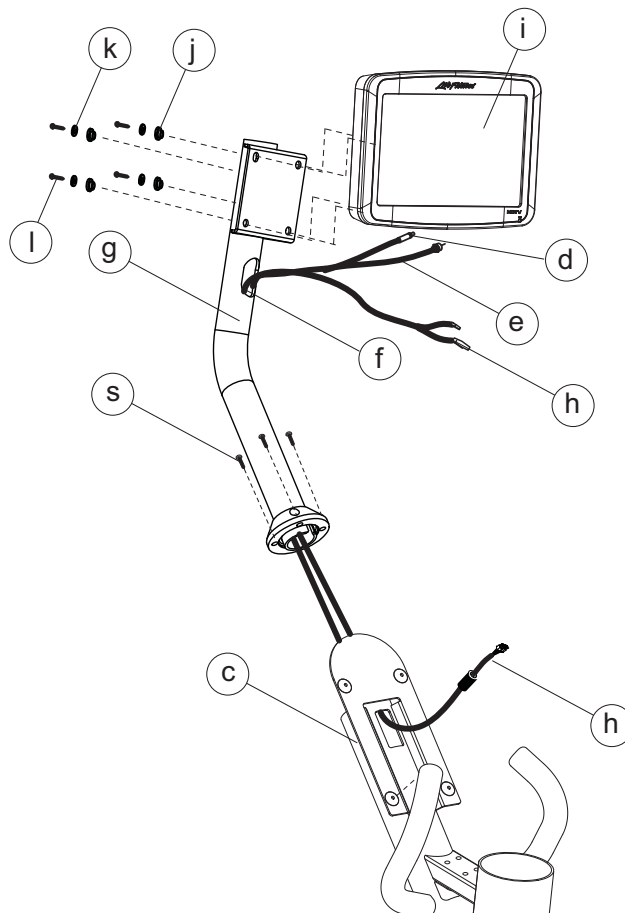
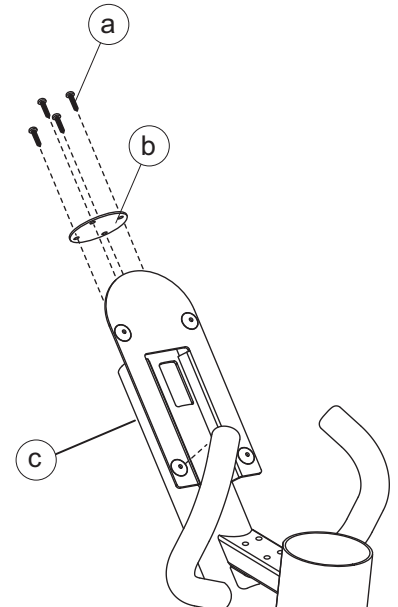
1. Remove the four SCREWS (a) and COVER PLATE (b) located on the CONSOLE SUPPORT BRACKET TUBE (c).

Note: Some models may have a plastic end cap instead of a cover plate.

2. Unwrap the power SUPPLY CORD (d) and COAXIAL CABLE (e) located within the CONSOLE SUPPORT BRACKET TUBE (c). Route these cables through the OPENING (f) of the TV MOUNTING BRACKET (g).
3. Locate the AUDIO / VIDEO / I-R REMOTE CONTROL CABLE (h). Route this CABLE ASSEMBLY through the TV MOUNTING BRACKET with the 2-connector end coming out the OPENING (f) of the TV MOUNTING BRACKET (g).
4. Secure the TV MOUNTING BRACKET (g) with four SOCKET HEAD SCREWS (s) onto the CONSOLE SUPPORT TUBE (c).

CAUTION: Do not pinch any cables when inserting the TV MOUNTING BRACKET into the CONSOLE SUPPORT TUBE.

5. Install the ATTACHABLE TV (i) onto the TV MOUNTING BRACKET (g) using four nylon SHOULDER WASHERS (j), four FLAT WASHERS (k) and four SCREWS (l).
6. Insert other end of the AUDIO / VIDEO / I-R REMOTE CONTROL CABLE ASSEMBLY (h) into the console connector.



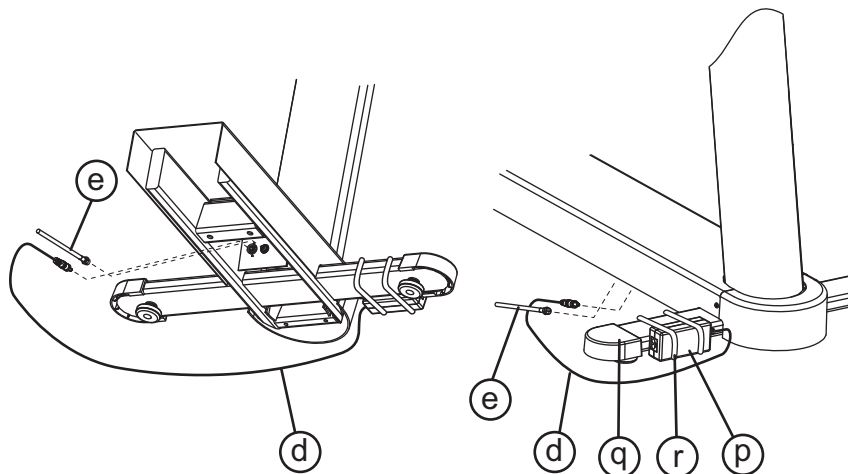
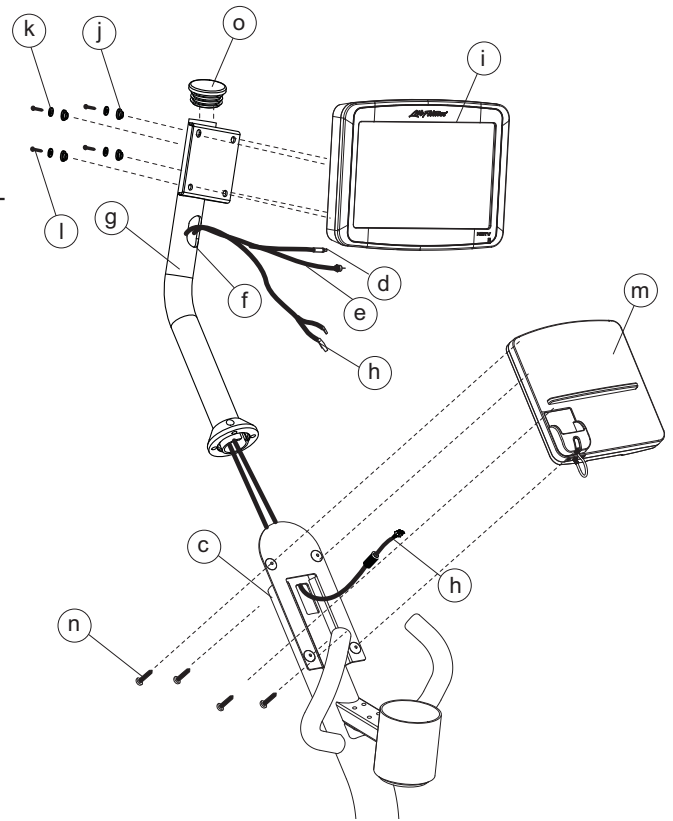
- Install the DISPLAY CONSOLE (m) as instructed in the Assembly Instructions using the four new SCREWS (n) supplied. Tighten the SCREWS to 6-8 in-lbs. Do not overtighten the SCREWS.

CAUTION: Do not pinch any wires when assembling the DISPLAY CONSOLE (m) to the CONSOLE SUPPORT BRACKET TUBE (c).

- Connect the COAXIAL CABLE, POWER CORD and I-R REMOTE CONTROL CABLE to the rear of the ATTACHABLE TV. See the *Media Connections* page in this manual for detailed information.
- Cable tie any excess cable together behind the ATTACHABLE TV and position the cables between the TV MOUNTING BRACKET (g) and the DISPLAY CONSOLE (m).
- Locate the new TOP CAP (o). Place the new top cap into position at the top of the TV MOUNTING BRACKET (g). Be sure the top cap snaps securely in place.
- Secure the POWER ADAPTER (p) to the FRONT STABILIZER (q) using two CABLE TIES (r) as shown. Be sure the cable ties are pulled tight. Trim the excess cable ties. Connect the SCREW-TYPE CONNECTOR of the power SUPPLY CORD (d) to the underside receptacle.

Bundle any excess POWER SUPPLY CORD and store under the unit. Connect the COAXIAL CABLE (e) to the broadcast supply cable in similar fashion.

- Connect the POWER SUPPLY CORD to the POWER ADAPTER (p).
- Continue with the remainder of assembly as instructed in the Assembly Instructions. Plug the power supply cord into an electrical outlet upon completion. See the *Media Connections* pages in this manual for detailed information.



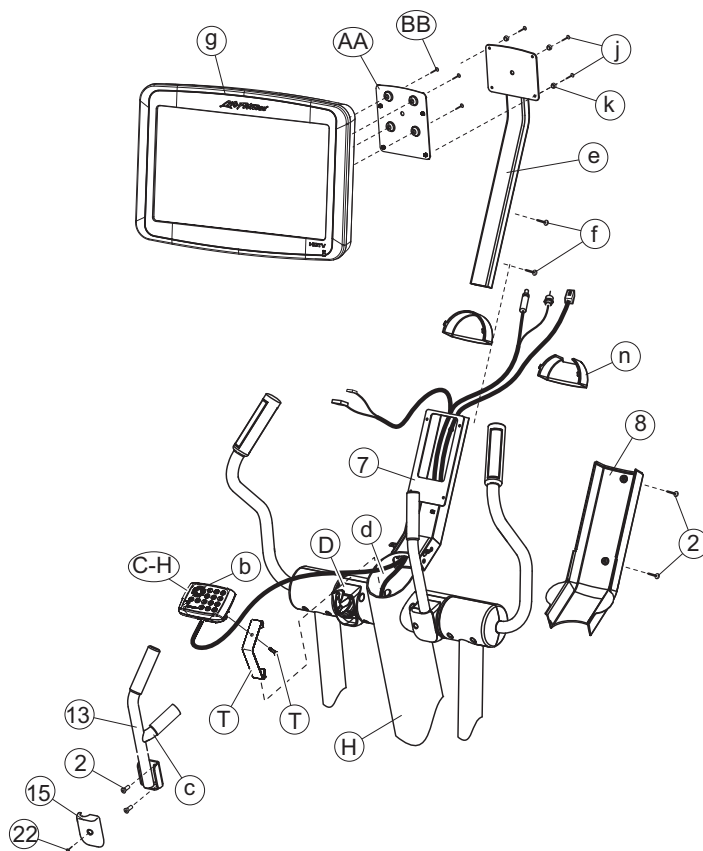
Models: 95XI, 93X, & 90X

Tools Required: Metric Hex Key Set, Side Cutters, T-45 Torx Wrench

Note: Proceed with the following steps before attaching the DISPLAY CONSOLE as described in the *95Xi Assembly Instructions* or *93X & 90X Assembly Instructions*. Do not install the LEFT BULLHORN and BULLHORN COVER. Do not install the ACCESSORY TRAY.

If the LEFT BULLHORN has been installed, follow steps 1 & 2 for removal.

1. Remove the SCREW (22) securing the LEFT BULLHORN COVER (15). Set the left bullhorn cover and screw aside.
2. Remove the two SCREWS (2) securing the LEFT BULLHORN (13) to the LEFT BULLHORN MOUNTING PLATE (D). Remove the LEFT BULLHORN.
3. Locate the supplied new left bullhorn. Secure it in place using the two previously removed SCREWS (2). Tighten the SCREWS to 15-20 ft-lbs.
4. Replace the LEFT BULLHORN COVER (15) and secure it using the previously removed SCREW (22). Tighten the screw securely. Slide the bullhorn cover gasket downward to meet the left bullhorn cover.
5. Locate the REMOTE CONTROL (b). Configure the remote control for a horizontal (c-h) installation. Secure the REMOTE CONTROL to the top of the MOUNTING FINGER (c) located on the new left bullhorn. Be sure the CABLE TIES (c-h) are pulled tight and trim the excess cable ties.
6. Route the REMOTE CABLE (d) through the MONOCOLUMN (H) and up through the top of the CONSOLE SUPPORT (7) alongside the power cord and coaxial cable.
7. Locate the MOUNTING BRACKET (e). With the mounting holes in the tube facing downward, slide the tube portion of the mounting bracket into the top of the CONSOLE SUPPORT (7). Align the inserts in the tube with the mounting holes on the underside of the console support. Secure the mounting bracket using two SCREWS (f). Tighten the screws securely.



CAUTION: Do not pinch any cables when inserting the mounting bracket (e) into the console support (7).

8. Install the DISPLAY CONSOLE as instructed in the Assembly Instructions using the four new 1-1/2" SCREWS supplied. Tighten the SCREWS to 6-8 in-lbs. Do not overtighten the SCREWS.

CAUTION: Do not pinch any wires when assembling the DISPLAY CONSOLE to the CONSOLE SUPPORT (7).

9. Install the ACCESSORY TRAY as instructed in the Assembly Instructions. Tighten the SCREWS to 6-8 in-lbs. Do not overtighten the SCREWS.

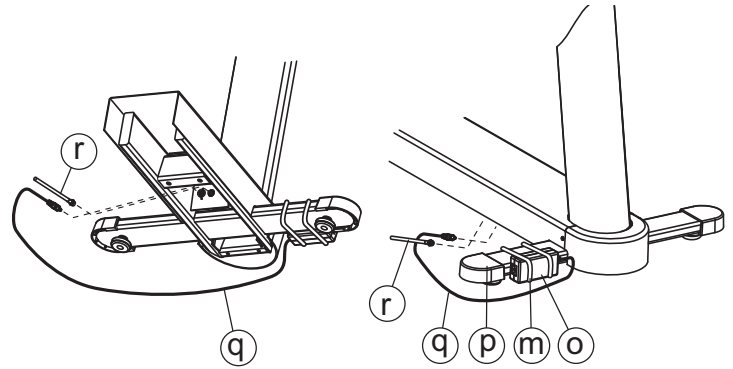
Note: Feed any excess REMOTE CABLE (d) into the MONOCOLUMN (h).

CAUTION: Do not pinch any wires when inserting the ACCESSORY TRAY into the MONOCOLUMN (h).

10. Attach the ADAPTER BRACKET (AA) to the ATTACHABLE TV (g) to the using four SCREWS (BB). Tighten the SCREWS to 6-8 in-lbs. Do not overtighten the SCREWS.

Attach the ATTACHABLE TV (g) to the MOUNTING BRACKET (e) using four SCREWS (j) and WASHERS (k). Tighten the SCREWS to 6-8 in-lbs. Do not overtighten the SCREWS.

11. Connect the COAXIAL CABLE, POWER CORD and I-R REMOTE CONTROL CABLE (d) to the rear of the ATTACHABLE TV (g). See the *Media Connections* pages in this manual for detailed information.
12. CABLE TIE (m) any excess cable together behind the ATTACHABLE TV (g) and position the cables between the MOUNTING BRACKET (e) and the DISPLAY CONSOLE (4).
13. Install the CONSOLE SUPPORT COVER (8) and secure it using the two previously removed SCREWS (2).
14. Locate the new TOP CAP (n). Place the new top cap into position at the top of the CONSOLE SUPPORT COVER (8). Be sure the top cap snaps securely in place.
15. Secure the POWER ADAPTER (o) to the FRONT STABILIZER (p) using two CABLE TIES (m) as shown. Be sure the cable ties are pulled tight and trim the excess cable ties. Connect the SCREW-TYPE CONNECTOR of the POWER CORD (q) to the under-side receptacle. Bundle excess power cord and store broadcast supply cable in similar fashion.
16. Connect the POWER SUPPLY CORD to the POWER ADAPTER (o).
17. Continue with the remainder of assembly as instructed in the Assembly Instructions. Plug the power supply cord into an electrical outlet upon completion.



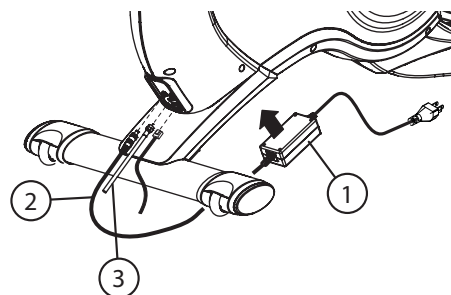
Models: 95C/97C Upright Lifecycle® Exercise Bikes Elevation Inspire & 95C/97C Upright Lifecycle® Exercise Bikes Elevation Discover SI

Tools Required: Phillips Screwdriver, Metric Allen Set, M16 & M17 Wrench

Parts Not Used From Kit: (1) Lower Mounting Bracket

For 95C/97C Elevation Inspire Units Only:

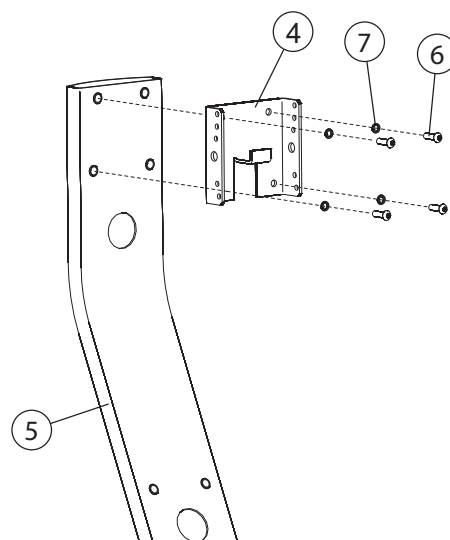
- a. Remove the protective liner from one of the provided fastener strips. Attach the fastener strip to the bottom of the POWER BLOCK (1). Interlock the remaining fastener strip to the installed fastener strip. Remove the remaining protective liner from fastener strip and secure the power block to the underside of the center frame as shown.



Connect the SCREW-TYPE CONNECTOR of the POWER CORD (2) to the underside receptacle. Bundle excess power cord and store under the unit. Connect the COAXIAL CABLE (3) to the broadcast supply receptacle in similar fashion.

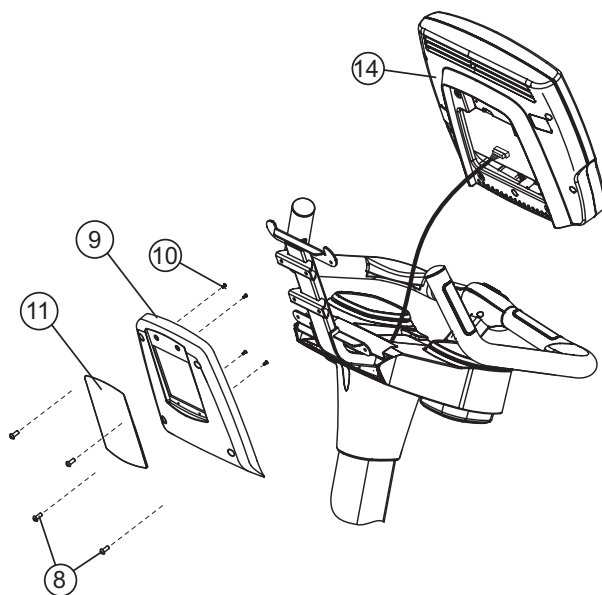
- b. Connect the POWER SUPPLY CORD to the POWER BLOCK (1).

1. Attach the TV BRACKET (with bent tab) (4) to the MAIN BRACKET (5) as shown using four SCREWS (6) and WASHERS (7). Tighten the screws securely. (8-10 ft. lbs.)
2. Remove the four SCREWS (8) securing the REAR CONSOLE COVER (9) to the frame. Remove the rear console cover.



Remove the four SCREWS (10) securing the INSERT (11) as shown. Set the rear console cover aside.

Remove the CONSOLE (14).



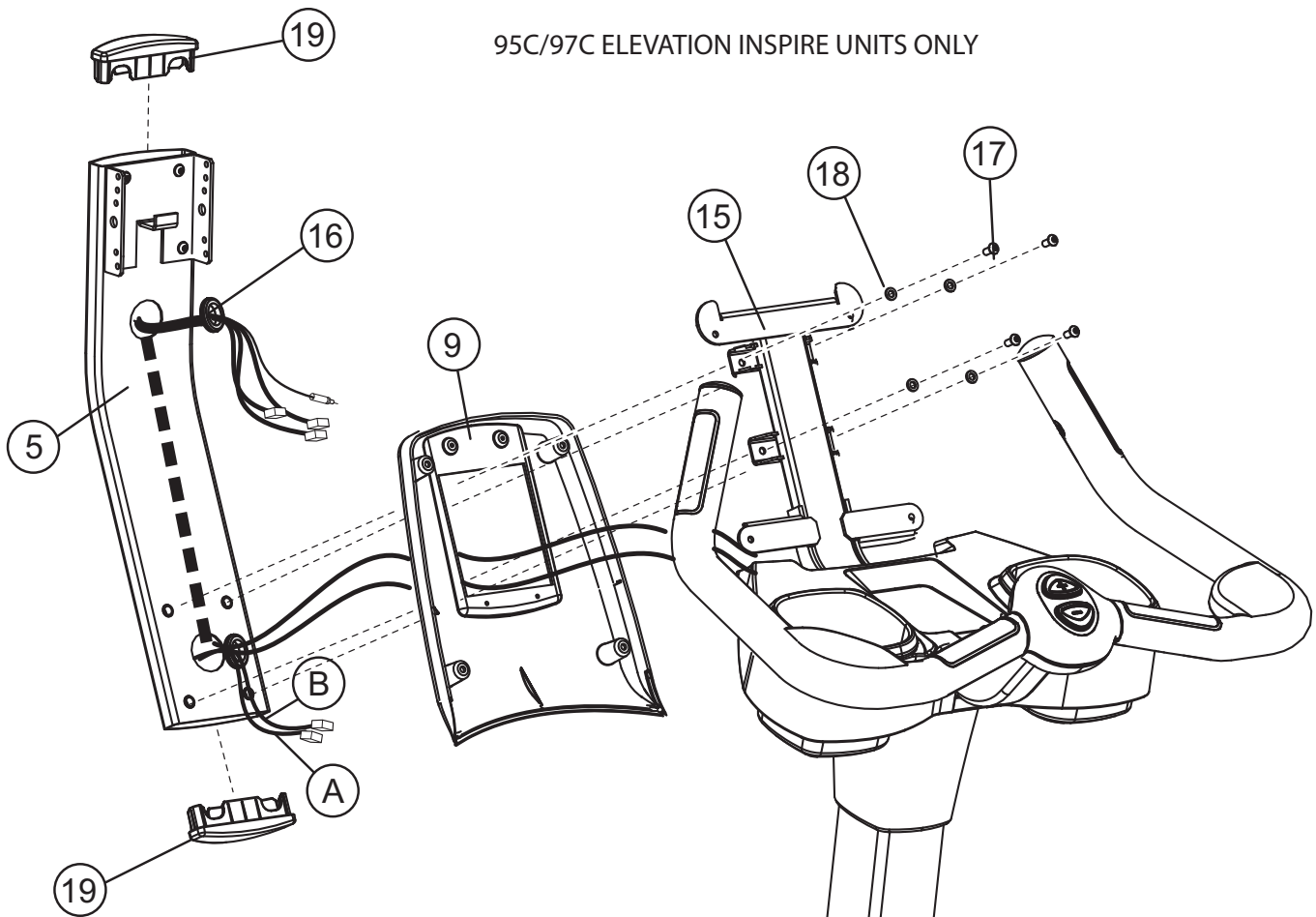
FOR 95C/97C ELEVATION INSPIRE UNITS ONLY:

3. Cable Routing

- 3a. Carefully pull the MEDIA CABLE BUNDLE (12) (Power & Coaxial) from inside the CONSOLE BRACKET (15).
 - 3b. Install the coaxial extension coupler and coaxial extension cable.
 - 3c. Tape the ends of all CABLES (Power, Coaxial, I-R Remote Control, Video) together.
4. Feed the taped end of the MEDIA CABLES (12) through the large hole in the back of the CONSOLE BRACKET (15). Carefully pull excess media cable through the CONSOLE BRACKET.
 5. Slide one GROMMET (16) over the taped end of the MEDIA CABLES (12).
 6. Hold the MAIN BRACKET ASSEMBLY (5) close to the CONSOLE BRACKET (15) as shown. With the holes facing upward, feed the taped end of the MEDIA CABLES (12) through the bottom large hole of the main bracket assembly and out of the upper hole as shown. Carefully pull excess media cable through the main bracket assembly.
 7. Slide the remaining GROMMET (16) over the taped end of the MEDIA CABLES (12). Install the grommets into the access holes.
 8. Install the MAIN BRACKET CAPS (19) to the top and bottom of the MAIN BRACKET ASSEMBLY (5).
 9. Secure the MAIN BRACKET ASSEMBLY (5) using four SCREWS (17) and WASHERS (18) as shown. Tighten the screws securely. (8-10 ft. lbs.)

10. Connect Cables to Console

- 10a. Connect the I-R REMOTE CONTROL (A) and VIDEO (B) CABLES to the back of the DISPLAY CONSOLE.



FOR 95C/97C ELEVATION DISCOVER SI UNITS ONLY:

3. Cable Routing

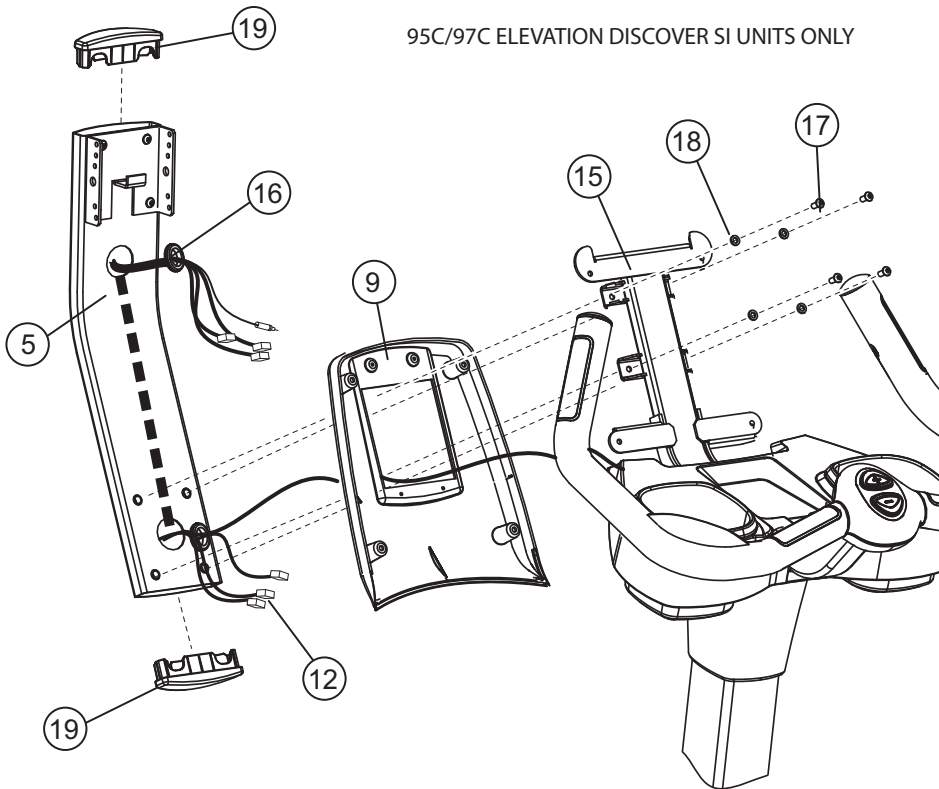
- 3a. Carefully pull the COAXIAL CABLE from inside the CONSOLE BRACKET (15).
- 3b. Install the coaxial extension coupler and coaxial extension cable.
- 3c. Tape the ends of all CABLES (*Power, Coaxial, I-R Remote Control, Video*) together.

- 4. Feed the taped end of the MEDIA CABLES (12) through the large hole in the back of the CONSOLE BRACKET (15). Carefully pull excess media cable through the CONSOLE BRACKET.
- 5. Slide one GROMMET (16) over the taped end of the MEDIA CABLES (12).
- 6. Hold the MAIN BRACKET ASSEMBLY (5) close to the CONSOLE BRACKET (15) as shown. With the holes facing upward, feed the taped end of the MEDIA CABLES (12) through the bottom large hole of the main bracket assembly and out of the upper hole as shown. Carefully pull excess media cable through the main bracket assembly.

7. Slide the remaining GROMMET (16) over the taped end of the MEDIA CABLES (12). Install the grommets into the access holes.

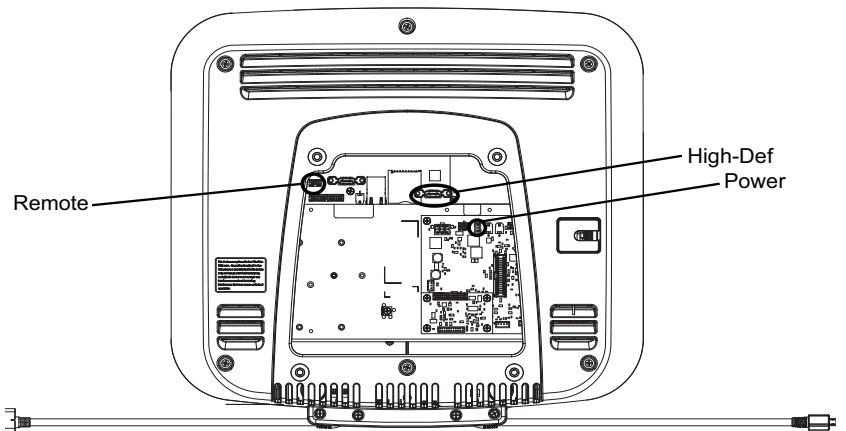
8. Install the MAIN BRACKET CAPS (19) to the top and bottom of the MAIN BRACKET ASSEMBLY (5).

9. Secure the MAIN BRACKET ASSEMBLY (5) using four SCREWS (17) and WASHERS (18) as shown. Tighten the screws securely. (8-10 ft. lbs.)



10. Connect Cables to Console

10a. Attach the three MEDIA CABLES (12) to the back of the Discover SI CONSOLE as shown.



11. Tilt the DISPLAY CONSOLE back into place. Replace the REAR CONSOLE COVER (9) and secure it using the previously removed four SCREWS (8). Tighten the screws securely. (8-10 ft. lbs.). Do not overtighten the screws.

12. With the remaining TV BRACKET (20) oriented as shown, install it to the back of the ATTACHABLE TV (21) using four SCREWS (22) and WASHERS (23). Tighten the screws securely. (8-10 ft. lbs.)

Note: Be sure the side holes of the TV BRACKET are oriented as shown.

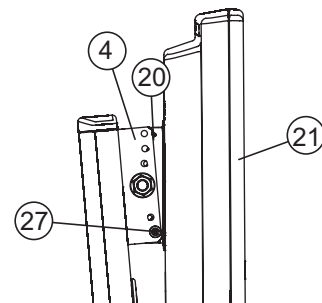
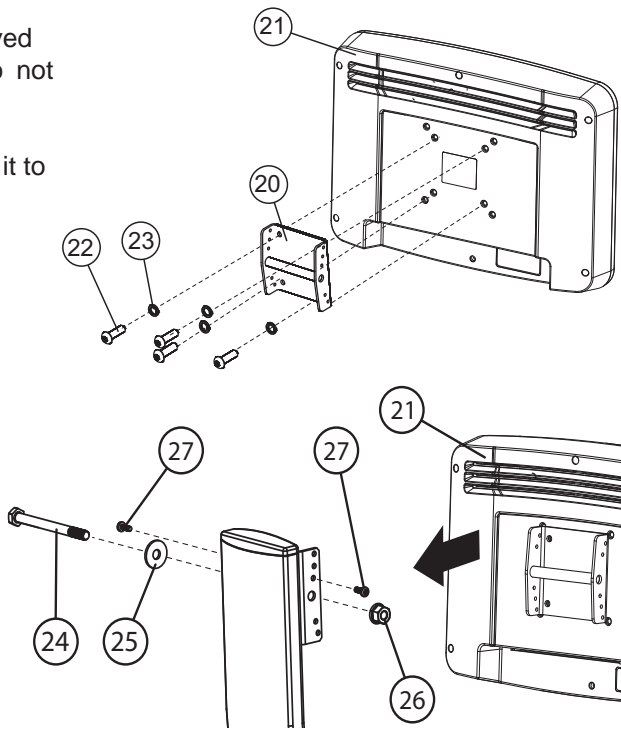
13. Position the TV BRACKETS (4 & 20) together and secure them using one BOLT (24), WASHER (25) and NUT (26). Leave the bolt and nut loose at this time.

Note: Be sure the PIVOT POST of the TV BRACKET engages onto TV BRACKET.

14. Connect all cables to their corresponding jacks located on the bottom of the ATTACHABLE TV. See the *Media Connections* pages in this manual for detailed information. Feed any excess media cable into the MAIN BRACKET (5).

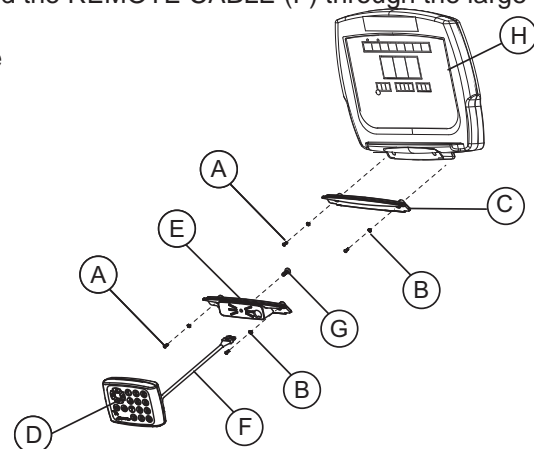
15. Align the lowest side holes on the TV BRACKETS (4 & 20). Secure the TV BRACKET into proper position using one SCREW (27) on each side.

16. Plug in and power on the TV. Refer to the *ATTACHABLE TV* Operation Manual for proper TV setup.



For Achieve Console Units Only:

- a. Remove the two SCREWS (A) and WASHERS (B) securing the BOTTOM INSERT (C). Remove the BOTTOM INSERT. Do not discard the SCREWS and WASHERS.
- b. Locate the REMOTE CONTROL (D) and REMOTE BRACKET (E). Feed the REMOTE CABLE (F) through the large access hole in the REMOTE BRACKET (E). With the REMOTE CONTROL (D) and REMOTE BRACKET (E) oriented as shown, secure them together using one SCREW (G). Tighten the screw securely.
- c. Carefully feed the REMOTE CABLE (F) through the opening in the bottom of the CONSOLE (H) and through the back of the console. Position the REMOTE BRACKET (E) into position replacing the BOTTOM INSERT (C). Secure the REMOTE BRACKET using the previously removed SCREWS (A) and WASHERS (B).



Model: CLSC (Integrity Series)

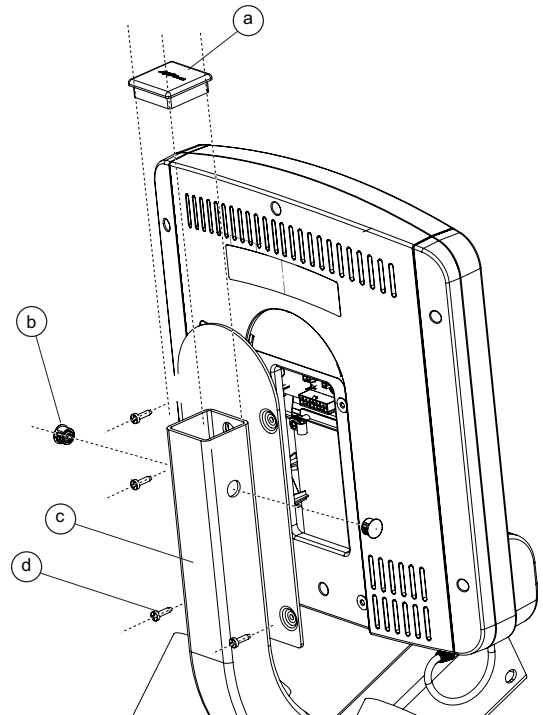
Tools Required: Standard Screwdriver, Phillips Screwdriver, Metric Hex Key Set, Side Cutters

Note: The following Assembly Instructions show the console attached prior to TV installation. Follow all appropriate steps when the console is not mounted.

1. Remove the square END CAP (a) and two PLASTIC PLUGS (b) located behind the console on the MAIN CONSOLE SUPPORT TUBE (c).
2. Remove the four SCREWS (d) that are used to fasten the console. Carefully set the console aside, securing it so that it does not fall.
3. Locate the TV MOUNTING BRACKET (e). Unwrap the POWER SUPPLY CORD (cc) and COAXIAL CABLE (dd) located within the CONSOLE SUPPORT BRACKET TUBE (c). Route these cables through the opening of the TV MOUNTING BRACKET (e).

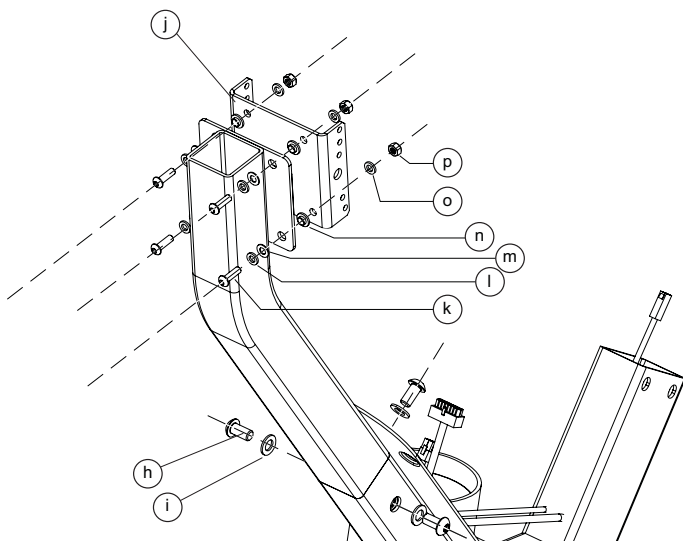
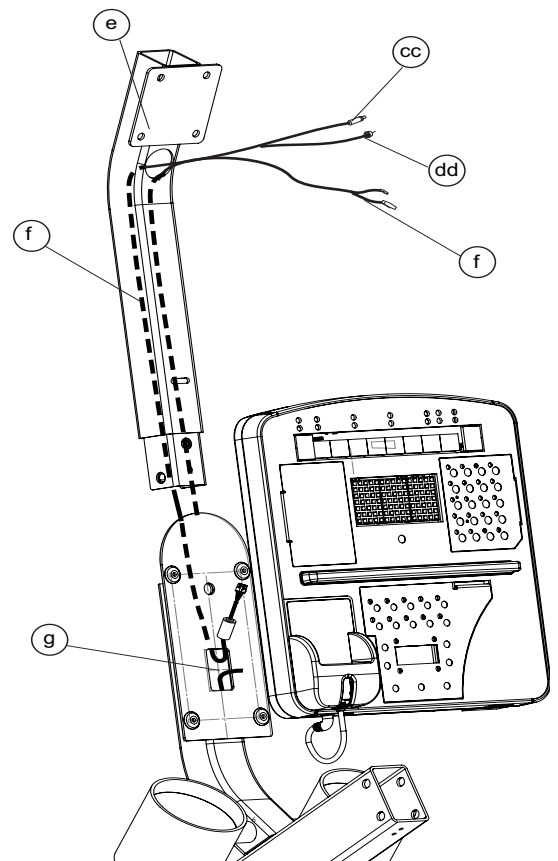
Locate the AUDIO / VIDEO / I-R CABLE ASSEMBLY (f). Route this cable assembly through the TV MOUNTING BRACKET (e) with the 2-connector end coming out of the opening of the TV MOUNTING BRACKET.

4. Insert the TV MOUNTING BRACKET into the CONSOLE SUPPORT TUBE and fasten with three SCREWS (h) and three WASHERS (i).



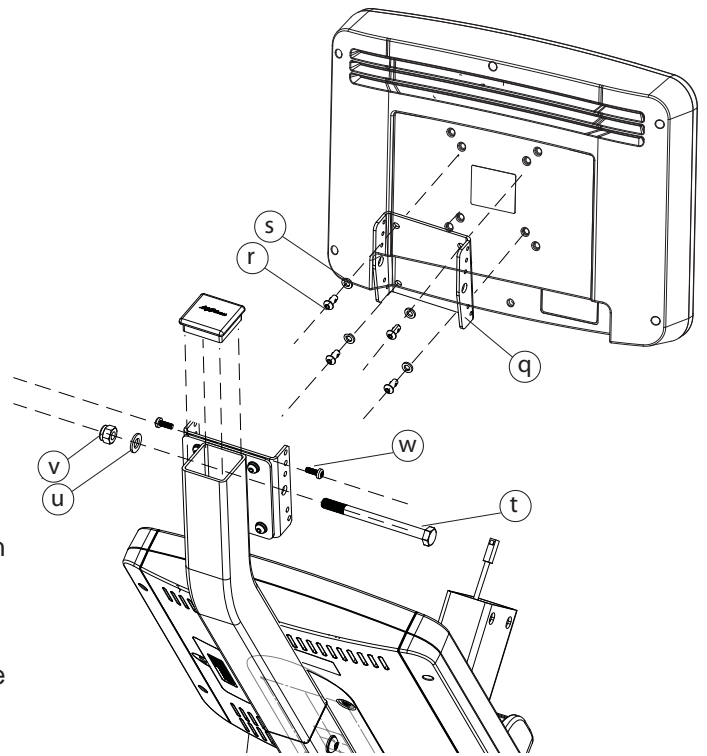
CAUTION: Do not pinch any cables when inserting the TV MOUNTING BRACKET into the CONSOLE SUPPORT TUBE.

5. Assemble the HINGED BRACKET (j) to the TV MOUNTING BRACKET with the following provided hardware:
 - k. screw
 - l. steel washer
 - m. nylon plastic washer
 - n. nylon plastic shoulder washer
 - o. steel washer
 - p. nut

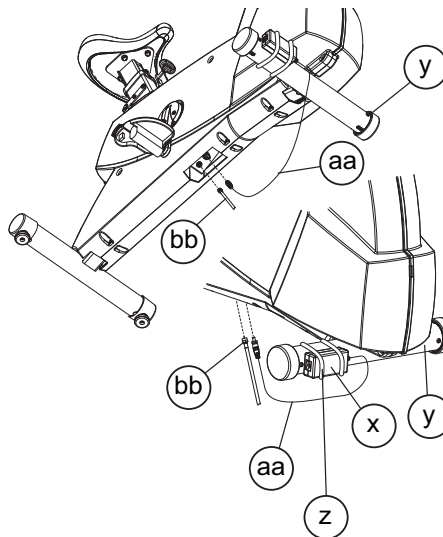


6. Assemble the MATING BRACKET (q) to the back of the ATTACHABLE TV with four SCREWS (r) and four steel WASHERS (s).
7. Assemble the ATTACHABLE TV to the TV MOUNTING BRACKET. Insert one HEX BOLT (t) and WASHER (u) through both parts that make up the hinged bracket. Partially tighten both brackets with one LOCK NUT (v). Adjust the TV position so that the TV face is perpendicular to the floor. Insert two SCREWS (w) to lock the bracket position. Fasten the hinged bracket securely.
8. Insert one end of the AUDIO / VIDEO / I-R REMOTE CONTROL CABLE ASSEMBLY into the CONSOLE CONNECTOR.
9. Reattach the console to the console support bracket with the four previously removed screws in Step 2. Tighten the screws to 6-8 in-lbs.

Connect the COAXIAL CABLE, POWER CORD, and AUDIO / VIDEO / I-R CABLE ASSEMBLY to the rear of the ATTACHABLE TV. See the *Media Connections* pages in this manual for detailed information.



10. Re-insert the previously removed square END CAP (a) into the top of the TV MOUNTING BRACKET.
11. Secure the POWER ADAPTER (x) to the FRONT STABILIZER (y) using two CABLE TIES (z) as shown. Be sure the CABLE TIES are pulled tight and trim the excess CABLE TIES. Connect the screw-type connector of the POWER CORD (aa) to the underside receptacle. Bundle excess power cord and store under the unit. Connect the COAXIAL CABLE (bb) to the broadcast supply receptacle in similar fashion.
12. Connect the POWER SUPPLY CORD to the POWER ADAPTER (x).
13. Continue with the remainder of assembly as instructed in the Assembly Instructions. Plug the POWER SUPPLY CORD into an electrical outlet upon completion.

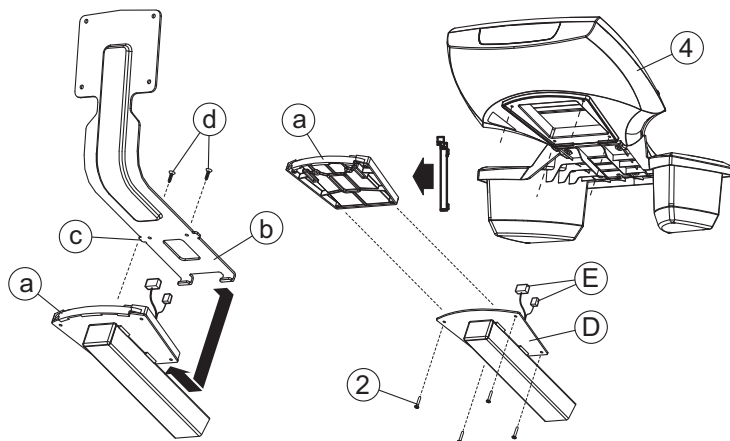


Models: 95Ci, 93C, & 90C

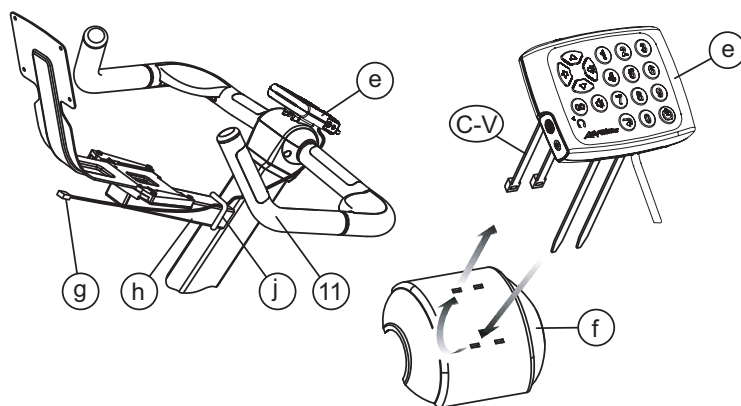
Tools Required: Metric Hex Key Set, Side Cutters

Note: Proceed with the following steps before attaching the DISPLAY CONSOLE and ACCESSORY TRAY as described in the 95Ci, 93C & 90C Assembly Instructions.

1. Locate the SPACER (a). With the SPACER oriented as shown, feed all the console CONNECTORS, POWER CORD, and COAXIAL CABLE through the large center hole in the SPACER. Slide the SPACER onto the CONSOLE MOUNTING PLATE (D) making sure the top of the SPACER hooks over the top of the CONSOLE MOUNTING PLATE. Align the mounting holes of the SPACER and CONSOLE MOUNTING PLATE. Run the POWER CORD, and COAXIAL CABLE through the channel at the top of the SPACER.



2. Locate the MOUNTING BRACKET (b). With the MOUNTING BRACKET oriented as shown, feed all the console CONNECTORS through the large center hole in the MOUNTING BRACKET. Align the LOCATING TABS (c) of the MOUNTING BRACKET with the tab slots and position the MOUNTING BRACKET into the center channel of the SPACER. Slide the MOUNTING BRACKET upward until it locks solidly in the SPACER. Secure the MOUNTING BRACKET to the SPACER using two FLAT HEAD SCREWS (d). Tighten the SCREWS securely.



3. Locate the REMOTE CONTROL (e). Remove the two horizontal CABLE TIES (c-H) for a vertical (c-V) installation.

4. Remove the four SCREWS (2) securing the TOP POLAR COVER to the BOTTOM POLAR COVER (6) and remove the top polar cover. Carefully pull the lead end of each CABLE TIE (C-V) until the receptor end meets the bottom of the REMOTE CONTROL (e).

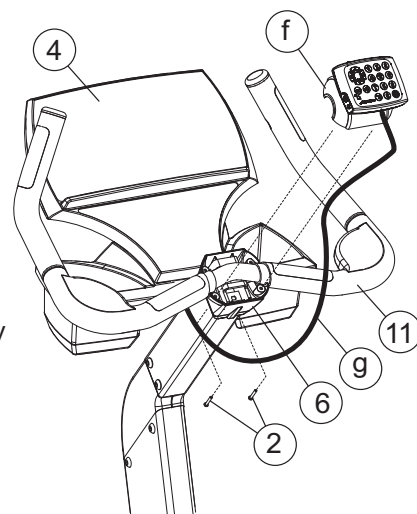
5. Locate the provided NEW TOP POLAR COVER (f) with mounting slots. Feed both lead ends of the CABLE TIES (C-V) through the bottom mounting slots of the top polar cover as shown. Loop the lead ends of the cable ties upward through the top mounting slots. Feed the cable ties through until the bottom of the REMOTE CONTROL (e) contacts the top polar cover.

6. Feed the lead ends of the CABLE TIES (C-V) through the receptor ends and slowly pull them tight, alternating between the two cable ties. The remote control should now be snug against the TOP POLAR COVER (f). Trim the excess length of cable ties.

7. Install the NEW TOP POLAR COVER (f) to the BOTTOM POLAR COVER (6) using the four previously removed SCREWS (2).

8. Loop the REMOTE CABLE (g) under the HANDLEBARS (11) and secure it to the top of the CONSOLE EXTENSION TUBE (h) using one CABLE TIE (j) at the location shown.

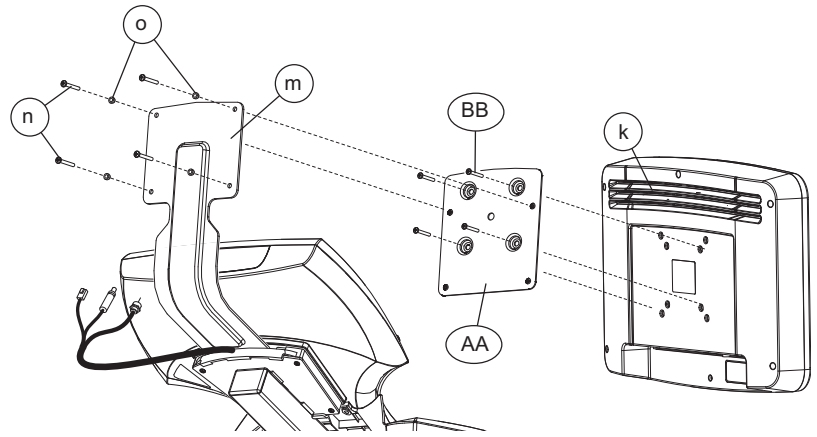
9. Install the DISPLAY CONSOLE (4) and ACCESSORY TRAY (3) as instructed in the Assembly Instructions using the four new 1-1/2" SCREWS supplied. Tighten the SCREWS to 6-8 in-lbs. Do not overtighten the SCREWS.



CAUTION: Do not pinch any wires when assembling the DISPLAY CONSOLE (4) to the console MOUNTING plate (D).

- Attach the ADAPTER BRACKET (AA) to the ATTACHABLE TV (k) using four SCREWS (BB). Tighten the SCREWS to 6-8 in-lbs. Do not overtighten the SCREWS.

Attach the ATTACHABLE TV to the UPPER MOUNTING PLATE (m) using four SCREWS (n) and WASHERS (o). Tighten the SCREWS to 6-8 in-lbs. Do not overtighten the SCREWS.



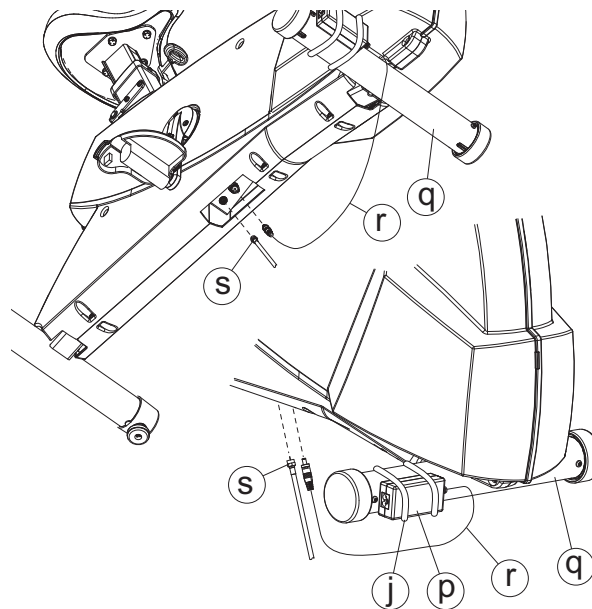
- Connect the COAXIAL CABLE, POWER cord and REMOTE CABLE (g) to the rear of the ATTACHABLE TV (k). See the *Media Connections* pages in this manual for detailed information.

- CABLE TIE (j) any excess cable together behind the ATTACHABLE TV (k) and position the cables between the MOUNTING BRACKET (b) and the DISPLAY CONSOLE (4).

- Secure the POWER ADAPTER (p) to the FRONT STABILIZER (q) using two CABLE TIES (j) as shown. Be sure the cable ties are pulled tight and trim the excess cable ties. Connect the SCREW-TYPE CONNECTOR of the POWER CORD (r) to the underside receptacle. Bundle excess power cord and store under the unit. Connect the COAXIAL CABLE (s) to the broadcast supply receptacle in similar fashion.

- Connect the POWER SUPPLY CORD to the POWER ADAPTER (p).

- Continue with the remainder of assembly as instructed in the Assembly Instructions. Plug the power supply cord into an electrical outlet upon completion.



Models: 95R Recumbent Lifecycle® Exercise Bikes Elevation Inspire & 95R Upright Lifecycle® Exercise Bikes Elevation Discover SI

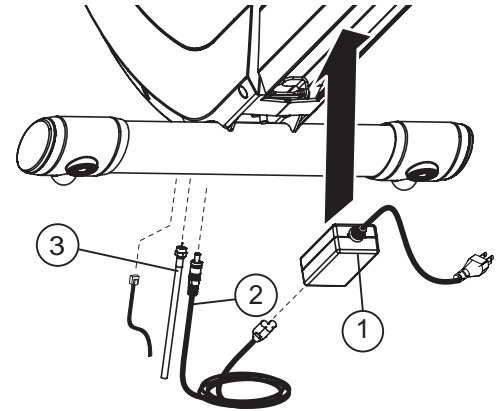
Tools Required: Phillips Screwdriver, Metric Allen Set, M16 & M17 Wrench

Parts Not Used From Kit: (1) Lower Mounting Bracket

For 95R Elevation Inspire Units Only:

- a. Remove the protective liner from one of the provided fastener strips. Attach the fastener strip to the bottom of the POWER BLOCK (1). Interlock the remaining fastener strip to the installed fastener strip. Remove the remaining protective liner from fastener strip and secure the power block to the underside of the center frame as shown.

Connect the SCREW-TYPE CONNECTOR of the POWER CORD (2) to the underside receptacle. Bundle excess power cord and store under the unit. Connect the COAXIAL CABLE (3) to the broadcast supply receptacle in similar fashion.

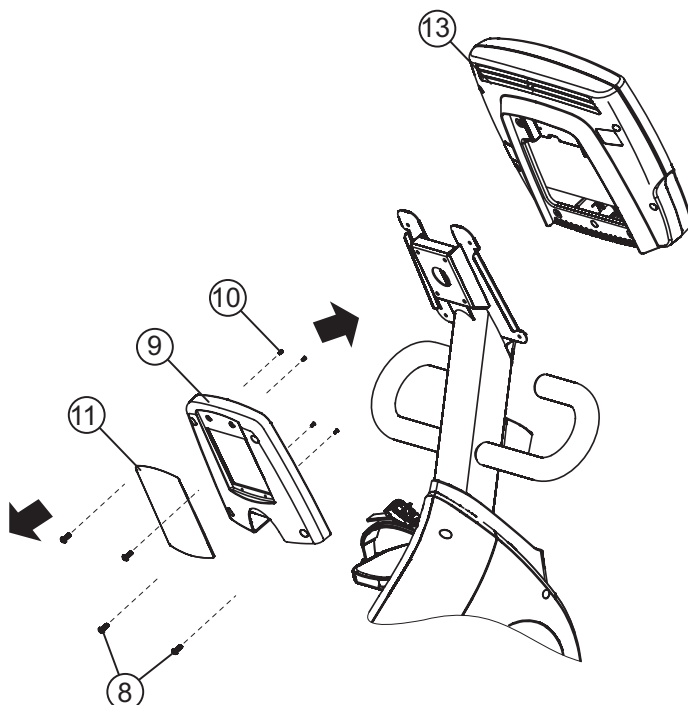
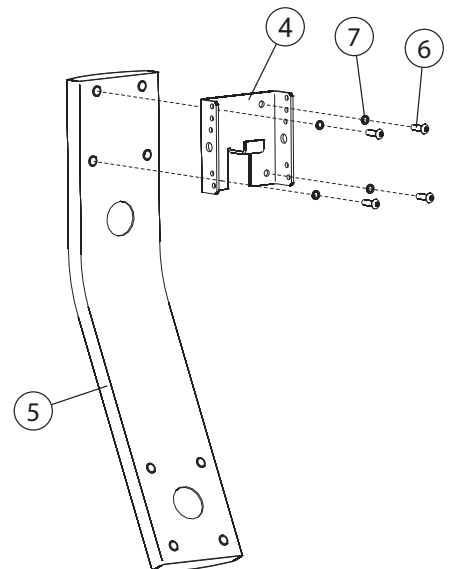


- b. Connect the POWER CORD to the POWER BLOCK (1).

-
1. Attach the TV BRACKET (with bent tab) (4) to the MAIN BRACKET (5) as shown using four SCREWS (6) and WASHERS (7). Tighten the screws securely. (8-10 ft. lbs.)
2. Remove the four SCREWS (8) securing the REAR CONSOLE COVER (9) to the frame. Remove the rear console cover.

Remove the four SCREWS (10) securing the insert (11) as shown. Set the rear console cover aside.

Remove the CONSOLE (13).



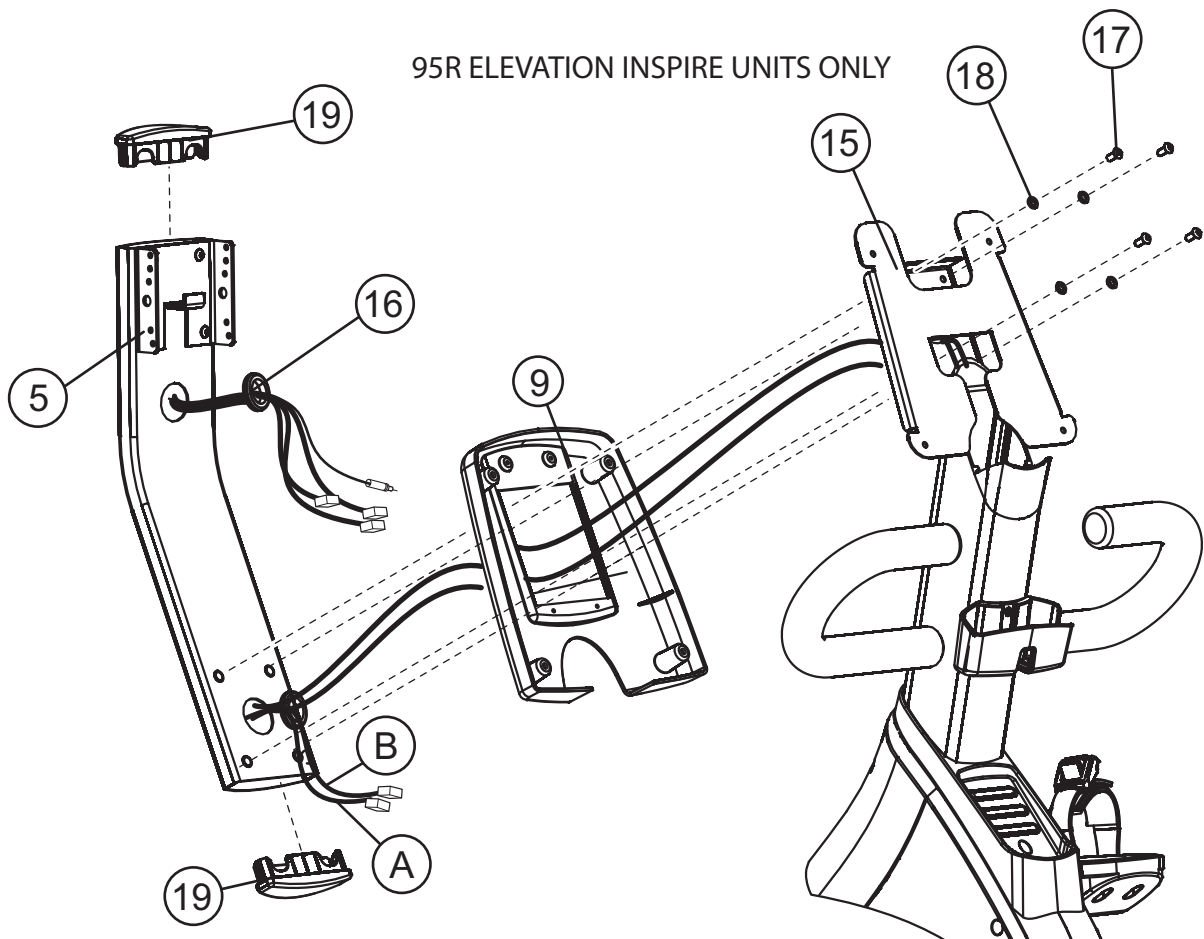
FOR 95R ELEVATION INSPIRE UNITS ONLY:

3. Cable Routing

- 3a. Carefully pull the MEDIA CABLE BUNDLE (12) (*Power and Coaxial*) from inside the CONSOLE BRACKET (15). Unbundle and straighten the media cables.
 - 3b. Install the coaxial extension coupler and coaxial extension cable.
 - 3c. Tape the ends of all CABLES (*Power, Coaxial, I-R Remote Control, Video*) together.
4. Feed the taped end of the MEDIA CABLES (12) through the large hole in the back of the CONSOLE BRACKET (15). Carefully pull excess media cable through the CONSOLE BRACKET.
5. Slide one GROMMET (16) over the taped end of the MEDIA CABLES (12).
6. Hold the MAIN BRACKET ASSEMBLY (5) close to the CONSOLE BRACKET (15) as shown. With the holes facing upward, feed the taped end of the MEDIA CABLES (12) through the bottom large hole of the main bracket assembly and out of the upper hole as shown. Carefully pull excess media cable through the main bracket assembly.
7. Slide the remaining GROMMET (16) over the taped end of the MEDIA CABLES (12). Install the grommets into the access holes.
8. Install the MAIN BRACKET CAPS (19) to the top and bottom of the MAIN BRACKET ASSEMBLY (5).
9. Secure the MAIN BRACKET ASSEMBLY (5) using four SCREWS (17) and WASHERS (18) as shown. Tighten the screws securely. (8-10 ft. lbs.)

10. Connect Cables to Console

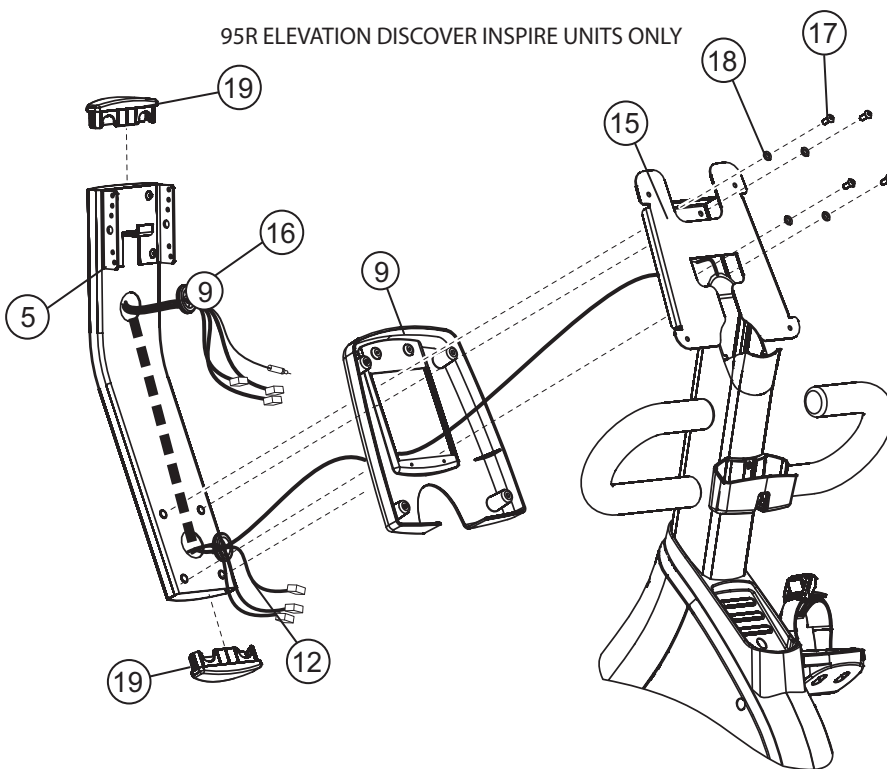
- 10a. Connect the I-R REMOTE CONTROL (A) and VIDEO (B) CABLES to the back of the DISPLAY CONSOLE.



FOR 95R ELEVATION DISCOVER SI UNITS ONLY:

3. Cable Routing

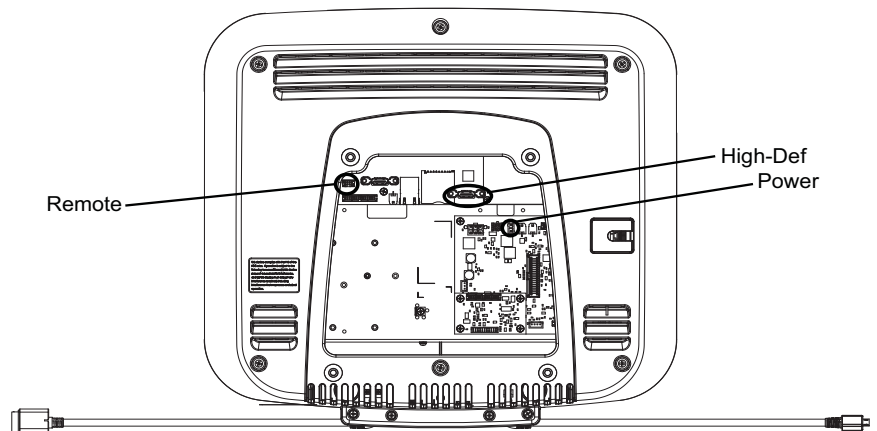
- 3a. Carefully pull the COAXIAL CABLE from inside the CONSOLE BRACKET (15).
 - 3b. Install the coaxial extension coupler and coaxial extension cable.
 - 3c. Tape the ends of all CABLES (Power, Coaxial, I-R Remote Control, Video) together.
4. Feed the taped end of the MEDIA CABLES (12) through the large hole in the back of the CONSOLE BRACKET (15). Carefully pull excess media cable through the CONSOLE BRACKET.
5. Slide one GROMMET (16) over the taped end of the MEDIA CABLES (12).
6. Hold the MAIN BRACKET ASSEMBLY (5) close to the CONSOLE BRACKET (15) as shown. With the holes facing upward, feed the taped end of the MEDIA CABLES (12) through the bottom large hole of the main bracket assembly and out of the upper hole as shown. Carefully pull excess media cable through the main bracket assembly.



7. Slide the remaining GROMMET (16) over the taped end of the MEDIA CABLES (12). Install the grommets into the access holes.
8. Install the MAIN BRACKET CAPS (19) to the top and bottom of the MAIN BRACKET ASSEMBLY (5).
9. Secure the MAIN BRACKET ASSEMBLY (5) using four SCREWS (17) and WASHERS (18) as shown. Tighten the screws securely. (8-10 ft. lbs.)

10. Connect Cables to Console

- 10a. Attach the three MEDIA CABLES (12) to the back of the Discover SI CONSOLE as shown.



**Cross-Trainer & Bikes
Elevation Discover SI Console**

11. Tilt the DISPLAY CONSOLE back into place. Replace the REAR CONSOLE COVER (9) and secure it using the previously removed four SCREWS (8). Tighten the screws securely. (8-10 ft. lbs.). Do not overtighten the screws.

12. With the remaining TV BRACKET (20) oriented as shown, install it to the back of the ATTACHABLE TV (21) using four SCREWS (22) and WASHERS (23). Tighten the screws securely. (8-10 ft. lbs.)

Note: Be sure the side holes of the TV BRACKET are oriented as shown.

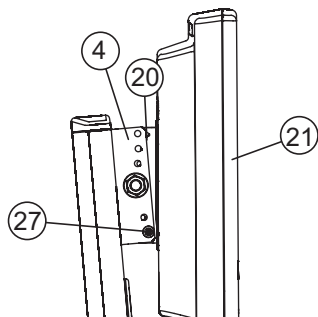
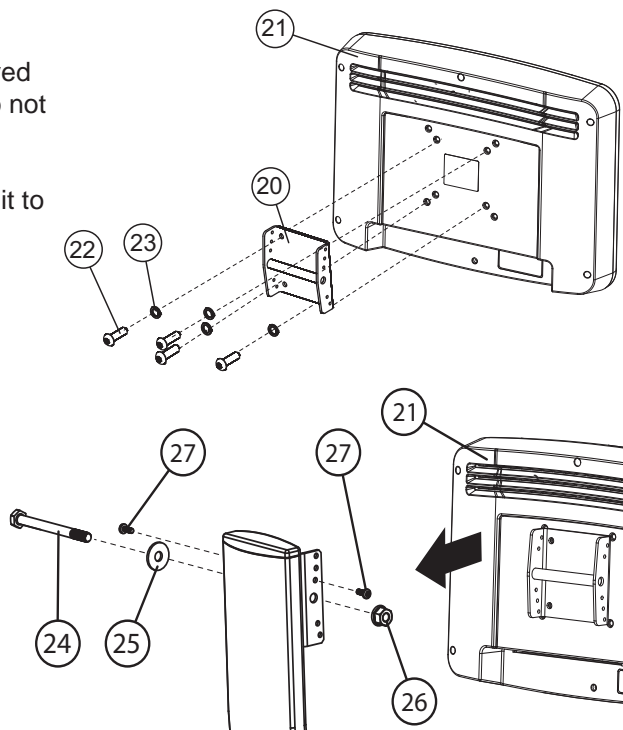
13. Position the TV BRACKETS (4 & 20) together and secure them using one BOLT (24), WASHER (25) and NUT (26). Leave the bolt and nut loose at this time.

Note: Be sure the PIVOT POST of the TV BRACKET engages onto TV BRACKET.

14. Connect all cables to their corresponding jacks located on the bottom of the ATTACHABLE TV. See the *Media Connections* pages in this manual for detailed information. Feed any excess media cable into the MAIN BRACKET (5).

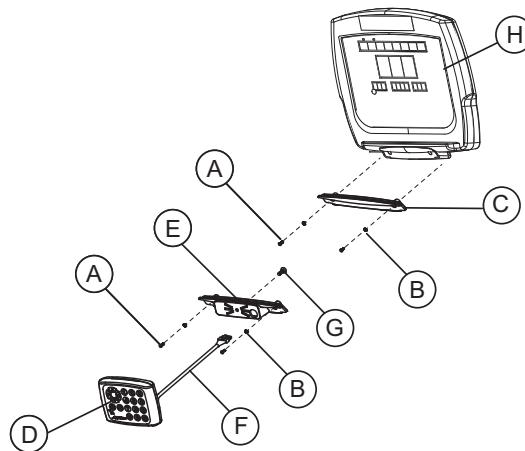
15. Align the lowest side holes on the TV BRACKETS (4 & 20). Secure the TV BRACKET into proper position using one SCREW (27) on each side.

16. Plug in and power on the TV. Refer to the *ATTACHABLE TV* Operation Manual for proper TV setup.



For Achieve Console Units Only:

- Remove the two SCREWS (A) and WASHERS (B) securing the BOTTOM INSERT (C). Remove the BOTTOM INSERT. Do not discard the SCREWS and WASHERS.
- Locate the REMOTE CONTROL (D) and REMOTE BRACKET (E). Feed the REMOTE CABLE (F) through the large access hole in the REMOTE BRACKET (E). With the REMOTE CONTROL (D) and REMOTE BRACKET (E) oriented as shown, secure them together using one SCREW (G). Tighten the screw securely.
- Carefully feed the REMOTE CABLE (F) through the opening in the bottom of the CONSOLE (H) and through the back of the console. Position the REMOTE BRACKET (E) into position replacing the BOTTOM INSERT (C). Secure the REMOTE BRACKET using the previously removed SCREWS (A) and WASHERS (B).



Model: CLSR (Integrity Series)

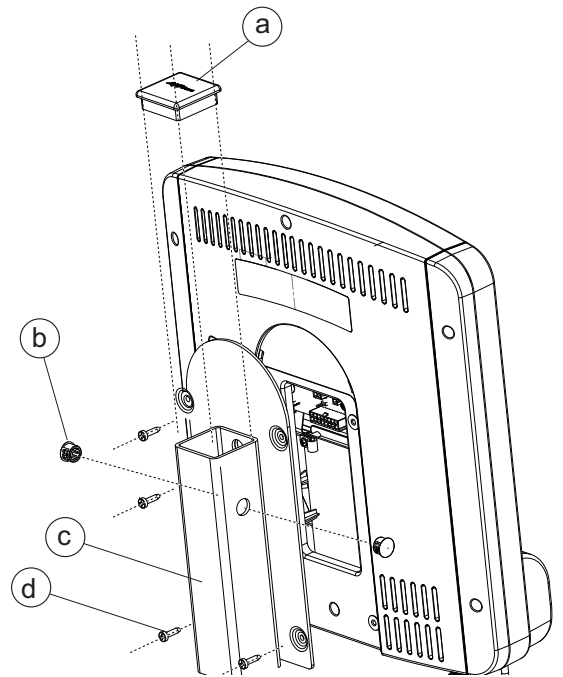
Tools Required: Standard Screwdriver, Phillips Screwdriver, Metric Hex Key Set, Side Cutters

Note: *The following Assembly Instructions show the console attached prior to ATTACHABLE TV installation. Follow all appropriate steps when the console is not mounted.*

1. Remove the square END CAP (a) and two PLASTIC PLUGS (b) located behind the console on the MAIN CONSOLE SUPPORT TUBE (c).
2. Remove the four SCREWS (d) that are used to fasten the console. Carefully set the console aside, securing it so that it does not fall.
3. Locate the TV MOUNTING BRACKET (e). Unwrap the POWER SUPPLY CORD (cc) and COAXIAL CABLE (dd) located within the CONSOLE SUPPORT BRACKET TUBE (c). Route these cables through the opening of the TV MOUNTING BRACKET (e).

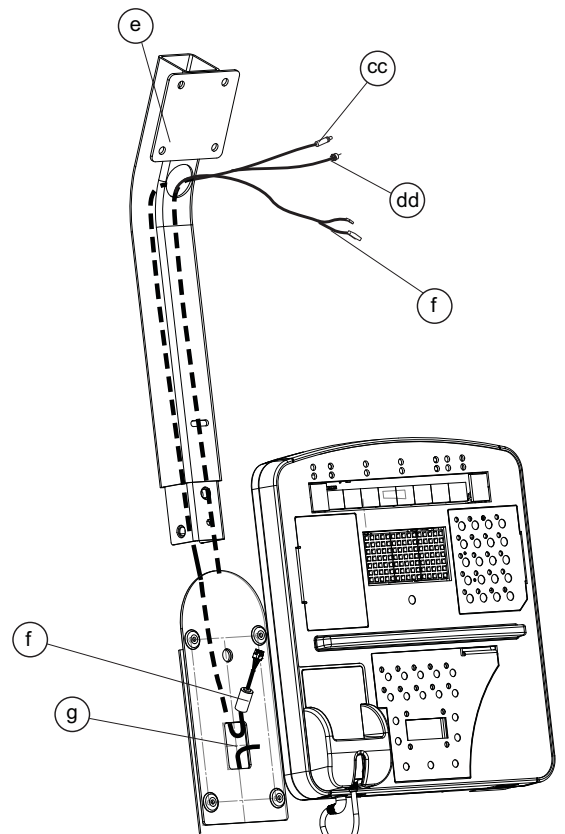
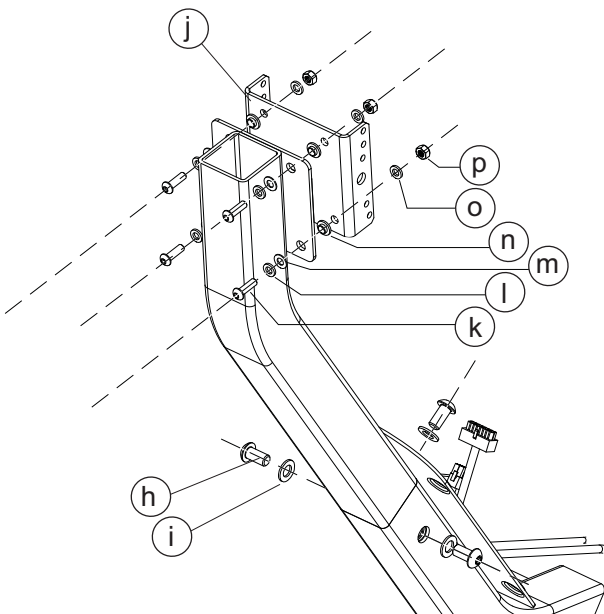
Locate the AUDIO / VIDEO / I-R REMOTE CONTROL CABLE ASSEMBLY (f). Route this cable assembly through the TV MOUNTING BRACKET (e) with the 2 -connector end coming out of the opening of the TV MOUNTING BRACKET.

4. Insert the TV MOUNTING BRACKET into the CONSOLE SUPPORT TUBE and fasten with three SCREWS (h) and three WASHERS (i).



CAUTION: Do not pinch any cables when inserting the TV MOUNTING BRACKET into the CONSOLE SUPPORT TUBE.

5. Assemble the HINGED BRACKET (j) to the TV MOUNTING BRACKET with the following provided hardware:
 - k. screw
 - l. steel washer
 - m. nylon plastic washer
 - n. nylon plastic shoulder washer
 - o. steel washer
 - p. nut

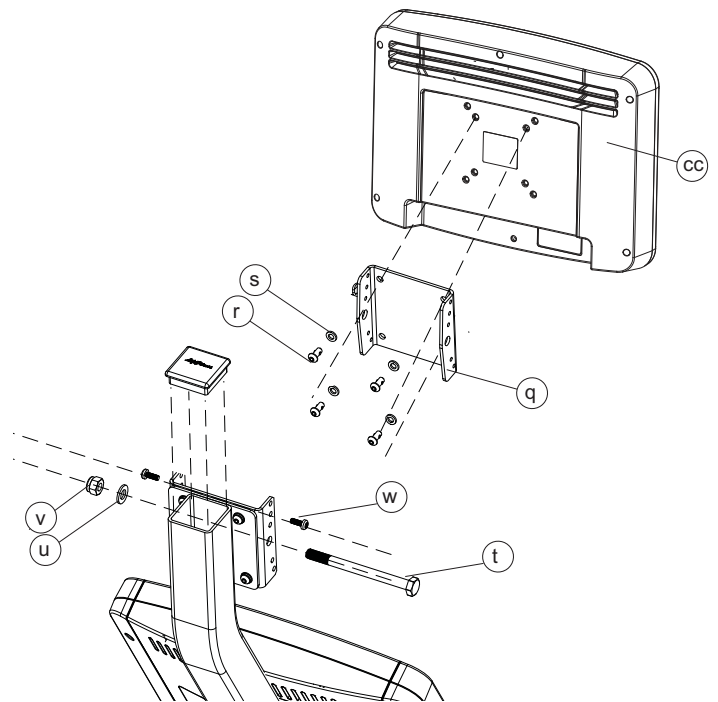


6. Assemble the MATING BRACKET (q) to the back of the ATTACHABLE TV (cc) with four SCREWS (r) and four steel WASHERS (s).

7. Assemble the ATTACHABLE TV to the TV MOUNTING BRACKET. Insert one HEX BOLT (t) and WASHER (u) through both parts that make up the hinged bracket. Partially tighten both brackets with one LOCK NUT (v). Adjust the TV position so that the TV face is perpendicular to the floor. Insert two screws (w) to lock the bracket position. Fasten the hinged bracket securely.

8. Insert one end of the AUDIO / S-VIDEO / I-R REMOTE CONTROL CABLE ASSEMBLY into the CONSOLE CONNECTOR.

9. Reattach the console to the console support bracket with the four previously removed screws in Step 2. Tighten the screws to 6-8 in-lbs.



Connect the COAXIAL CABLE, POWER CORD, and AUDIO / S-VIDEO / I-R REMOTE CONTROL CABLE ASSEMBLY to the rear of the ATTACHABLE TV.

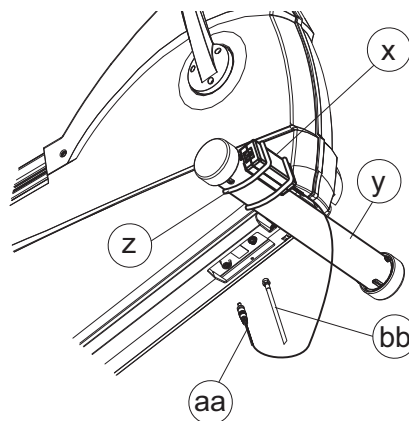
See the *Media Connections* pages in this manual for detailed information.

10. Re-insert the previously removed square END CAP (a) into the top of the TV MOUNTING BRACKET.

11. Secure the POWER ADAPTER (x) to the FRONT STABILIZER (y) using two CABLE TIES (z) as shown. Be sure the CABLE TIES are pulled tight and trim the excess CABLE TIES. Connect the screw-type connector of the POWER CORD (aa) to the underside receptacle. Bundle excess power cord and store under the unit. Connect the COAXIAL CABLE (bb) to the broadcast supply receptacle in similar fashion.

12. Connect the POWER SUPPLY CORD to the POWER ADAPTER (x).

13. Continue with the remainder of assembly as instructed in the Assembly Instructions. Plug the POWER SUPPLY CORD into an electrical outlet upon completion.

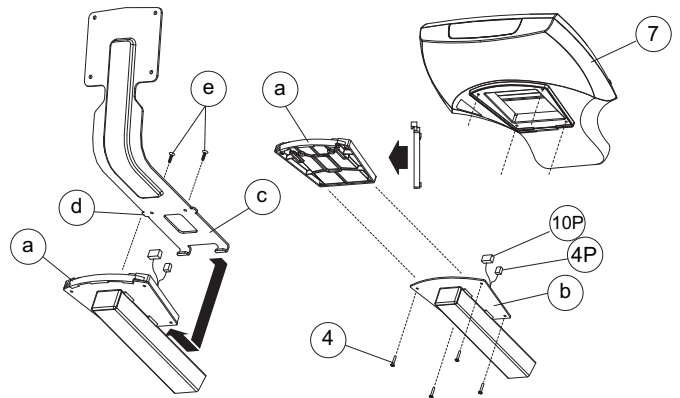


Models: 95RI, 93RI, & 90R

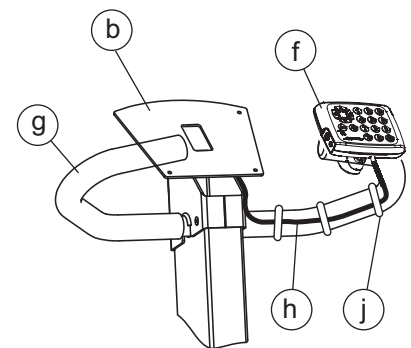
Tools Required: Metric Hex Key Set, Side Cutters

Note: Proceed with the following steps before attaching the DISPLAY CONSOLE as described in the 95Ri, 93Ri, 90R Assembly Instructions.

1. Locate the SPACER (a). With the SPACER oriented as shown, feed all the console CONNECTORS, POWER CORD, and COAXIAL CABLE through the large center hole in the SPACER. Slide the SPACER onto the CONSOLE MOUNTING PLATE (b) making sure the top of the SPACER hooks over the top of the CONSOLE MOUNTING PLATE. Align the mounting holes of the SPACER and CONSOLE MOUNTING PLATE. Run the POWER CORD, and COAXIAL CABLE through the channel at the top of the SPACER.



2. Locate the MOUNTING BRACKET (c). With the MOUNTING BRACKET oriented as shown, feed all the console CONNECTORS through the large center hole in the MOUNTING BRACKET. Align the LOCATING TABS (d) of the MOUNTING BRACKET with the tab slots and position the MOUNTING BRACKET into the center channel of the SPACER. Slide the MOUNTING BRACKET upward until it locks solidly in the SPACER. Secure the MOUNTING BRACKET to the SPACER using two FLAT HEAD SCREWS (e). Tighten the SCREWS securely.



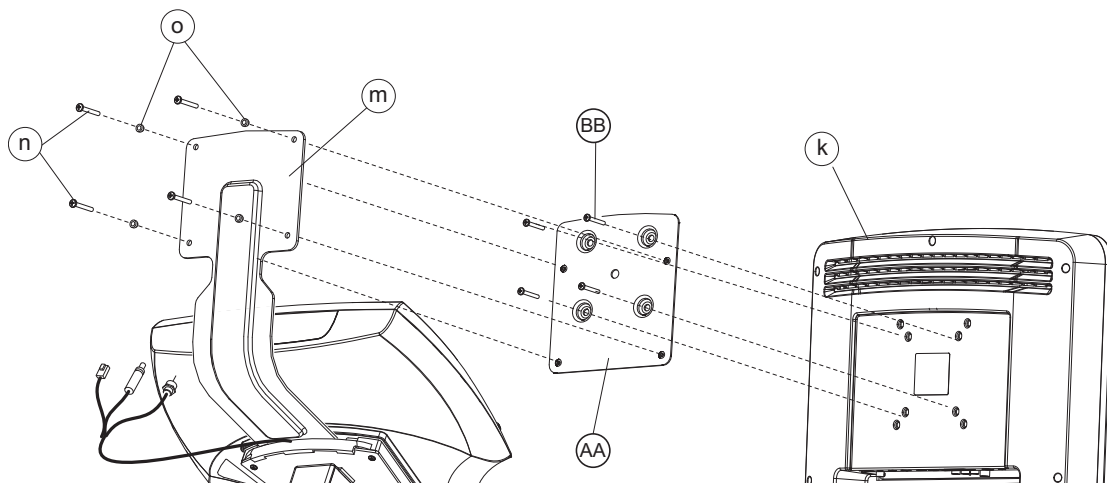
3. Locate the REMOTE CONTROL (f). Configure the remote control for a vertical (c-V) installation. Secure the REMOTE CONTROL to the top of the HANDLEBAR (g) as shown. Be sure the CABLE TIES (c-v) are pulled tight and trim the excess cable ties.

4. Loop the REMOTE CABLE (h) under the HANDLEBAR (g) and secure it to the HANDLEBAR using three CABLE TIES (j) at the locations shown.

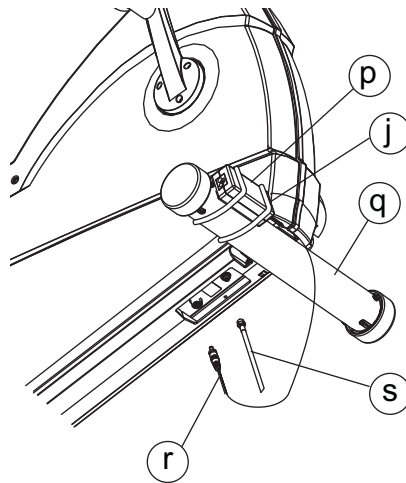
5. Install the DISPLAY CONSOLE (7) as instructed in the Assembly Instructions using the four new 1-1/2" SCREWS supplied. Tighten the SCREWS to 6-8 in-lbs. Do not overtighten the SCREWS.

CAUTION: Do not pinch any wires when assembling the DISPLAY CONSOLE (7) to the console MOUNTING plate (b).

6. Attach the ADAPTER BRACKET (AA) to the ATTACHABLE TV (k) to the using four SCREWS (BB). Tighten the SCREWS to 6-8 in-lbs. Do not overtighten the SCREWS. Attach the ATTACHABLE TV to the UPPER MOUNTING PLATE (m) using four SCREWS (n) and washers (o). Tighten the SCREWS to 6-8 in-lbs. Do not over tighten the SCREWS.



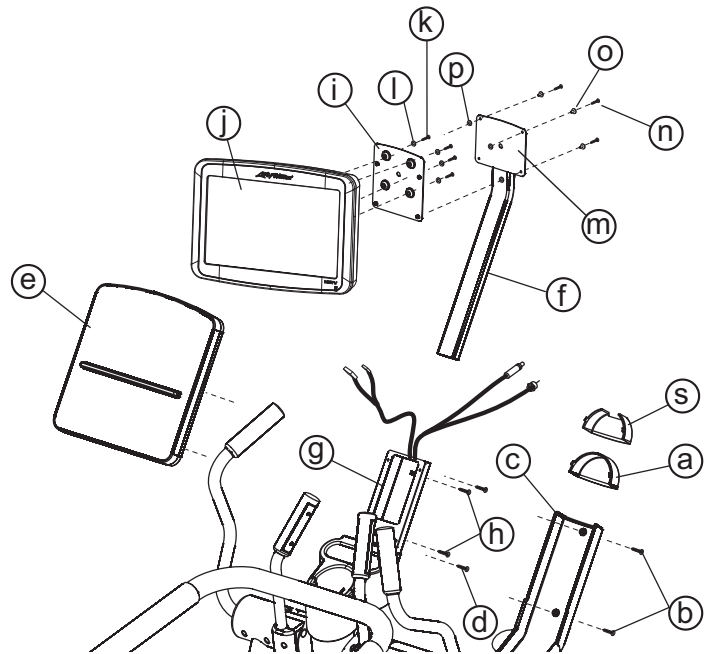
7. Connect the COAXIAL CABLE, POWER cord and remote cable (h) to the rear of the ATTACHABLE TV (k). See the *Media Connections* pages in this manual for detailed information.
8. CABLE TIE (j) any excess cable together behind the ATTACHABLE TV (k) and position the cables between the MOUNTING BRACKET (c) and the DISPLAY CONSOLE (7).
9. Secure the POWER ADAPTER (p) to the FRONT STABILIZER (q) using two CABLE TIES (j) as shown. Be sure the cable ties are pulled tight and trim the excess cable ties. Connect the SCREW-TYPE CONNECTOR of the POWER CORD (r) to the underside receptacle. Bundle excess power cord and store under the unit. Connect the COAXIAL CABLE (s) to the broadcast supply receptacle in similar fashion.
10. Connect the POWER SUPPLY CORD to the POWER ADAPTER (p).
11. Continue with the remainder of assembly as instructed in the Assembly Instructions. Plug the power supply cord into an electrical outlet upon completion.



Model: CLSL (Integrity Series)

Tools Required: Metric Hex Key Set, Side Cutters, T-45 Torx Wrench

1. Remove the CONSOLE SUPPORT TOP CAP (a).
2. Remove the two SCREWS (b) securing the CONSOLE SUPPORT COVER (c). Remove the console support cover and set it and the screws aside.
3. Remove the four SCREWS (d) securing the DISPLAY CONSOLE (e). Set the SCREWS aside. Tilt the CONSOLE forward and disconnect all cables. Set the CONSOLE aside.
4. Locate the TV MOUNTING BRACKET (f). With the mounting holes in the tube facing downward, slide the tube portion of the mounting bracket into the top of the CONSOLE SUPPORT (g). Align the inserts in the tube with the mounting holes on the underside of the console support. Secure the mounting bracket using two SCREWS (h). Tighten the screws securely.

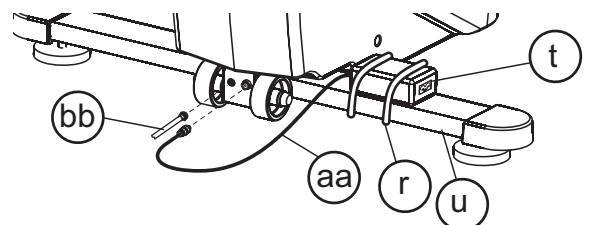


CAUTION: Do not pinch any cables when inserting the MOUNTING BRACKET into the CONSOLE SUPPORT.

5. Re-install the DISPLAY CONSOLE (e) using the four previously removed SCREWS (d). Tighten the SCREWS to 6-8 in-lbs. Do not overtighten the SCREWS.

CAUTION: Do not pinch any wires when assembling the DISPLAY CONSOLE to the console support.

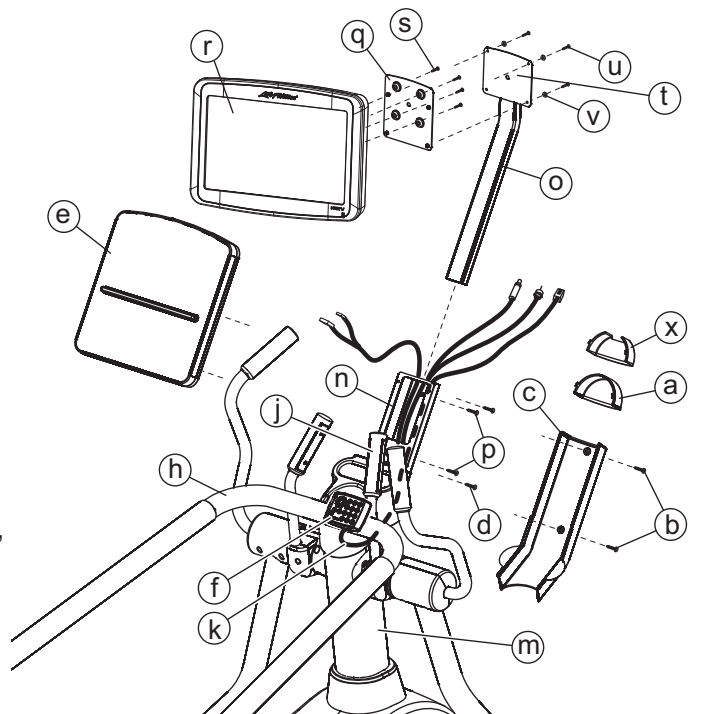
6. Attach the ADAPTER BRACKET (i) to the ATTACHABLE TV (j) using four SCREWS (k) and WASHERS (l). Tighten the SCREWS to 6-8 in-lbs. Do not overtighten the SCREWS.
Attach the ATTACHABLE TV with ADAPTER BRACKET to the UPPER MOUNTING PLATE (m) using four SCREWS (n), SHOULDER NYLON WASHERS (o) and NYLON FLAT WASHER (p). Tighten the SCREWS to 6-8 in-lbs. Do not overtighten the SCREWS.
7. Connect the COAXIAL CABLE, POWER CORD and REMOTE CABLE to the rear of the ATTACHABLE TV. See the *Media Connections* pages in this manual for detailed information.
8. CABLE TIE (r) any excess cable together behind the ATTACHABLE TV and position the cables between the MOUNTING BRACKET (f) and the DISPLAY CONSOLE (e).
9. Re-install the CONSOLE SUPPORT COVER (c) and secure it using the two previously removed SCREWS (b).
10. Locate the new TOP CAP (s). Place the new top cap into position at the top of the CONSOLE SUPPORT COVER (c). Be sure the top cap snaps securely in place.
11. Secure the POWER ADAPTER (t) to the FRONT STABILIZER (u) using two CABLE TIES (r) as shown. Be sure the cable ties are pulled tight. Trim the excess cable ties. Connect the SCREW-TYPE CONNECTOR of the POWER CORD (aa) to the front side receptacle. Bundle excess power cord and store under the unit. Connect the COAXIAL CABLE (bb) to the broadcast supply cable in similar fashion.
12. Connect the POWER SUPPLY CORD to the POWER ADAPTER (t).



Model: 95LI

Tools Required: Metric Hex Key Set, Side Cutters, T-45 Torx Wrench

1. Remove the CONSOLE SUPPORT TOP CAP (A).
2. Remove the two SCREWS (b) securing the CONSOLE SUPPORT COVER (c). Remove the console support cover and set it and the screws aside.
3. Remove the four SCREWS (d) securing the DISPLAY CONSOLE (e). Set the screws aside. Tilt the console forward and disconnect all cables. Set the console aside.
4. Locate the REMOTE CONTROL (f). Configure the MOUNTING BRACKET for a vertical installation. Secure the REMOTE CONTROL to the top of the HANDRAIL (h) and just left of the RIGHT BULLHORN (j) as shown. Tighten the bracket mounting screws securely.
5. Route the REMOTE CABLE (k) below the HANDRAIL (h), around the MONOCOLUMN (m) and up through the CONSOLE SUPPORT (n) alongside the power cord and coaxial cable.
6. Locate the TV MOUNTING BRACKET (o). With the mounting holes in the tube facing downward, slide the tube portion of the mounting bracket into the top of the CONSOLE SUPPORT (n). Align the inserts in the tube with the mounting holes on the underside of the console support. Secure the mounting bracket using two SCREWS (p). Tighten the screws securely.



CAUTION: Do not pinch any cables when inserting the mounting bracket into the console support.

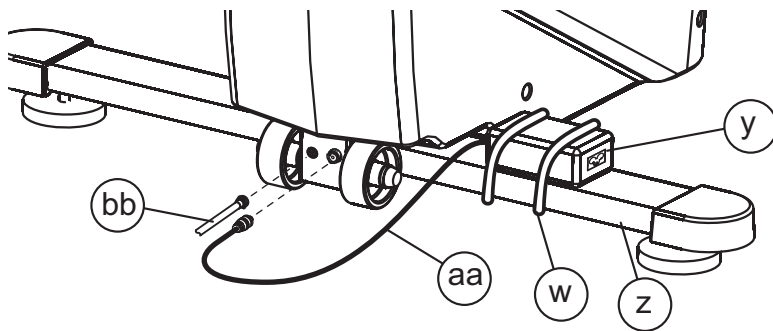
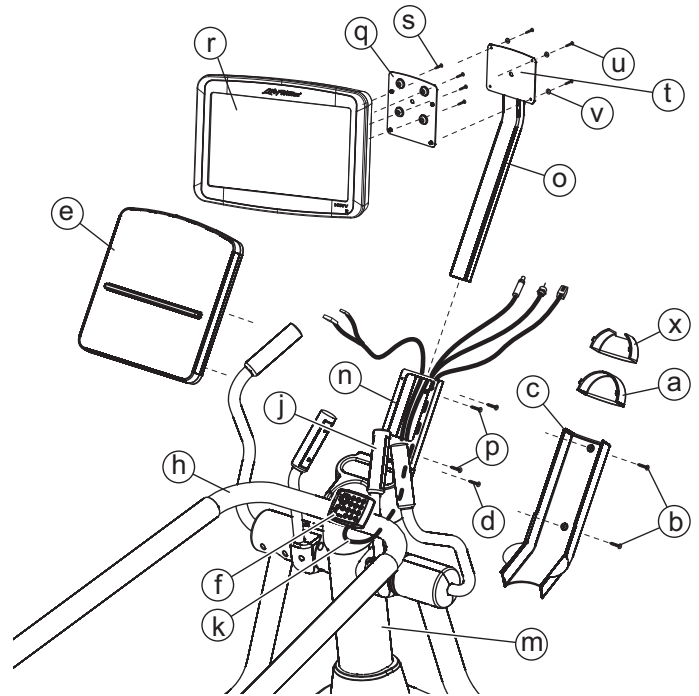
7. Re-install the DISPLAY CONSOLE (e) using the four previously removed SCREWS (d). Tighten the SCREWS to 6-8 in-lbs. Do not overtighten the SCREWS.

CAUTION: Do not pinch any wires when assembling the DISPLAY CONSOLE to the console support.

8. Attach the ADAPTER BRACKET (q) to the ATTACHABLE TV (r) using four SCREWS (s). Tighten the SCREWS to 6-8 in-lbs. Do not overtighten the SCREWS.

Attach the ATTACHABLE TV to the UPPER MOUNTING PLATE (t) using four SCREWS (u) and washers (v). Tighten the SCREWS to 6-8 in-lbs. Do not overtighten the SCREWS.

9. Connect COAXIAL CABLE, POWER CORD and I-R REMOTE CONTROL CABLE (k) to the rear of the ATTACHABLE TV (r). See the *Media Connections* pages in this manual for detailed information.
10. CABLE TIE (w) any excess cable together behind the ATTACHABLE TV (r) and position the cables between the MOUNTING BRACKET (o) and the DISPLAY CONSOLE (e).
11. Re-install the CONSOLE SUPPORT COVER (c) and secure it using the two previously removed screws (b).
12. Locate the new TOP CAP (x). Place the new top cap into position at the top of the CONSOLE SUPPORT COVER (c). Be sure the top cap snaps securely in place.
13. Secure the POWER ADAPTER (y) to the FRONT STABILIZER (z) using two CABLE TIES (w) as shown. Be sure the cable ties are pulled tight and trim the excess cable ties. Connect the SCREW-TYPE CONNECTOR of the POWER CORD (aa) to the front side receptacle. Bundle excess power cord and store under the unit. Connect the COAXIAL CABLE (bb) to the broadcast supply cable in similar fashion.
14. Connect the POWER SUPPLY CORD to the POWER ADAPTER (y).

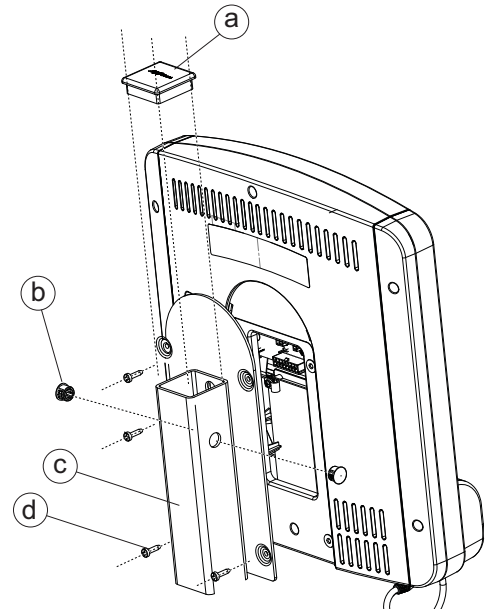


Model: CLSS (Integrity Series)

Tools Required: Standard Screwdriver, Phillips Screwdriver, Torx Head Screwdriver, Side Cutters, Hex Head Wrench

Note: The following Assembly Instructions show the CONSOLE attached prior to ATTACHABLE TV installation. Follow all appropriate steps when the console is not mounted.

1. Remove the square END CAP (a) and two PLASTIC PLUGS (b) located behind the console on the MAIN CONSOLE SUPPORT TUBE (c).
2. Remove the four SCREWS (d) that are used to fasten the console. Carefully set the console aside, securing it so that it does not fall.
3. Locate the TV MOUNTING BRACKET (e). Unwrap the POWER SUPPLY CORD (cc) and COAXIAL CABLE (dd) located within the CONSOLE SUPPORT BRACKET TUBE (c). Route these cables through the opening of the TV MOUNTING BRACKET (e).

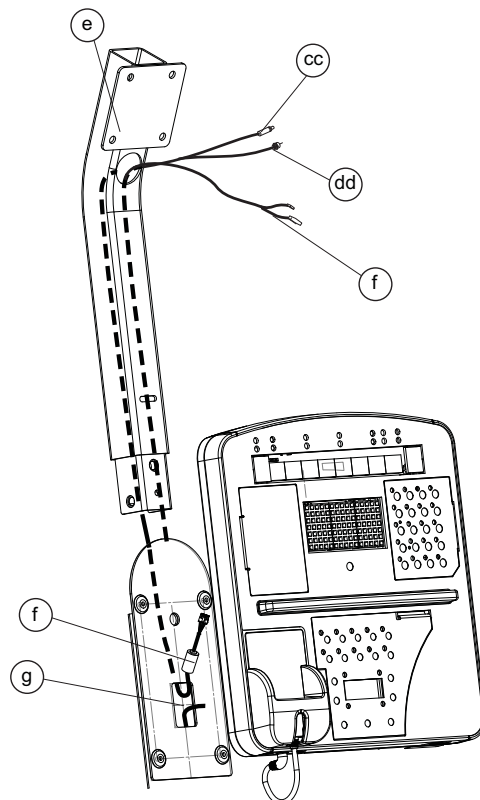
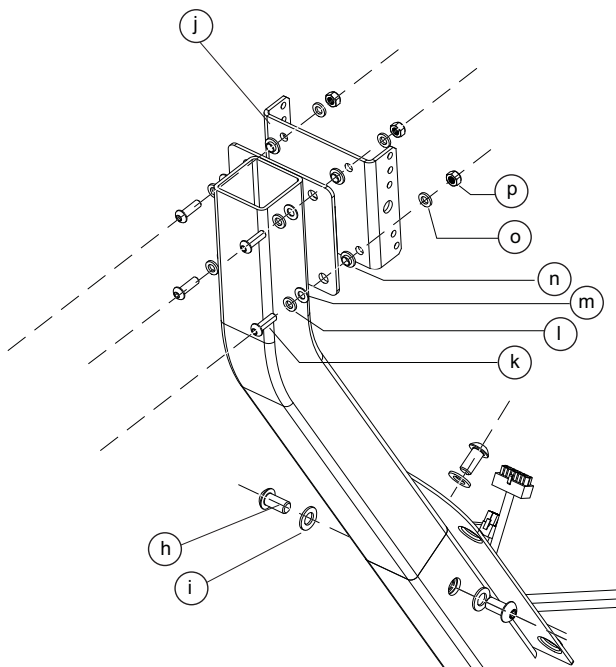


Locate the AUDIO / VIDEO / I-R REMOTE CONTROL CABLE ASSEMBLY (f). Route this cable assembly through the TV MOUNTING BRACKET (e) with the 2-connector end coming out of the opening of the TV MOUNTING BRACKET.

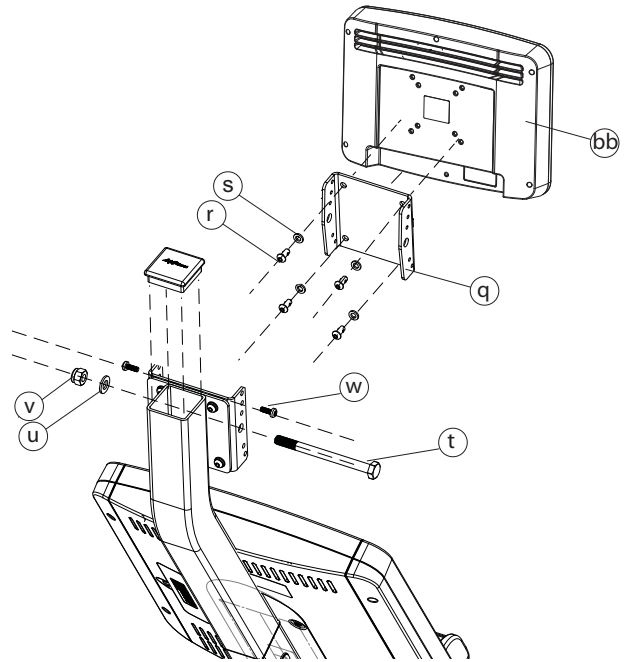
4. Insert the TV MOUNTING BRACKET into the CONSOLE SUPPORT TUBE and fasten with three SCREWS (h) and three WASHERS (i).

CAUTION: Do not pinch any cables when inserting the TV MOUNTING BRACKET into the CONSOLE SUPPORT TUBE.

5. Assemble the HINGED BRACKET (j) to the TV MOUNTING BRACKET with the following provided hardware:
 - k. screw
 - l. steel washer
 - m. nylon plastic washer
 - n. nylon plastic shoulder washer
 - o. steel washer
 - p. nut



6. Assemble the MATING BRACKET (q) to the back of the ATTACHABLE TV (bb) with four SCREWS (r) and four steel WASHERS (s).
7. Assemble the ATTACHABLE TV (bb) to the TV MOUNTING BRACKET. Insert one HEX BOLT (t) and WASHER (u) through both parts that make up the hinged bracket. Partially tighten both brackets with one LOCKNUT (v). Adjust the TV position so that the TV face is perpendicular to the floor. Insert two SCREWS (w) to lock the bracket position. Fasten the hinged bracket securely.
8. Insert one end of the AUDIO / VIDEO / I-R REMOTE CONTROL CABLE ASSEMBLY into the CONSOLE CONNECTOR.

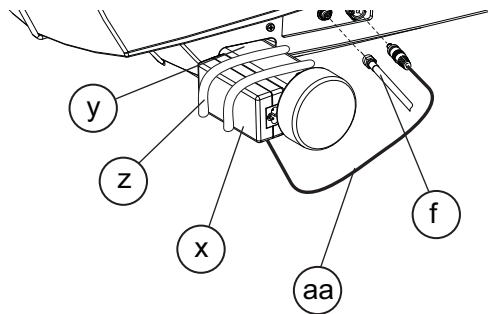


Attach the FERRITE to the main CONSOLE CONNECTOR (See "g" on previous page). Attach the CABLE TIE below the FERRITE to prevent the FERRITE from sliding down the cable after the FERRITE is placed into the MAIN CONSOLE SUPPORT CABLE ACCESS HOLE.

9. Reattach the console to the console support bracket with the four previously removed screws in Step 2.

Connect the COAXIAL CABLE, POWER CORD, and AUDIO / VIDEO / I-R REMOTE CONTROL CABLE ASSEMBLY to the rear of the ATTACHABLE TV. See the *Media Connections* pages in this manual for detailed information.

10. Re-insert the previously removed square END CAP (a) into the top of the TV MOUNTING BRACKET.
11. Secure the POWER ADAPTER (x) to the FRONT STABILIZER (y) using two CABLE TIES (z) as shown. Be sure the CABLE TIES are pulled tight and trim the excess CABLE TIES. Connect the screw-type connector of the POWER SUPPLY CORD (aa) to the underside receptacle. Bundle excess power cord and store under the unit. Connect the COAXIAL CABLE (f) to the broadcast supply cable in similar fashion.
12. Connect the POWER SUPPLY CORD to the POWER ADAPTER (x).
13. Continue with the remainder of assembly as instructed in the Assembly Instructions. Plug the POWER SUPPLY CORD into an electrical outlet upon completion.



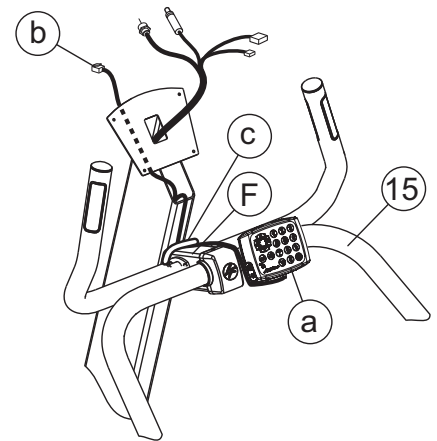
Model: 95SI, 93S, & 90S

Tools Required: Metric Hex Key Set, Side Cutters

Note: Proceed with the following steps before attaching the DISPLAY CONSOLE and ACCESSORY TRAY as described in the Assembly Instructions.

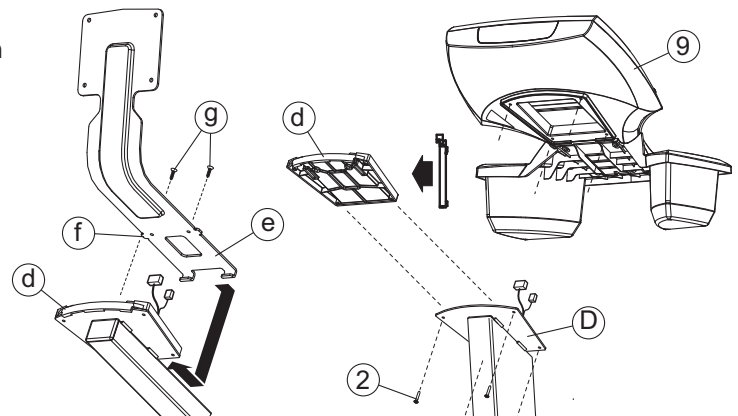
1. Locate the REMOTE CONTROL (a). Configure the remote control for a vertical (c-V) installation. Secure the REMOTE CONTROL to the top of the HANDLEBAR (15) as shown. Be sure the CABLE TIES (C-V) are pulled tight and trim the excess cable ties.

2. Loop the REMOTE CABLE (b) under the HANDLEBAR (15) and secure it to the top of the CONSOLE EXTENSION TUBE (F) using one CABLE TIE (c) at the location shown.



3. Locate the SPACER (d). With the SPACER oriented as shown, feed all the previously removed console CONNECTORS, POWER CORD, and COAXIAL CABLE through the large center hole in the SPACER. Slide the SPACER onto the CONSOLE MOUNTING PLATE (D) making sure the top of the SPACER hooks over the top of the CONSOLE MOUNTING PLATE. Align the mounting holes of the SPACER and CONSOLE MOUNTING PLATE. Run the power cord, and coaxial cable through the channel at the top of the SPACER.

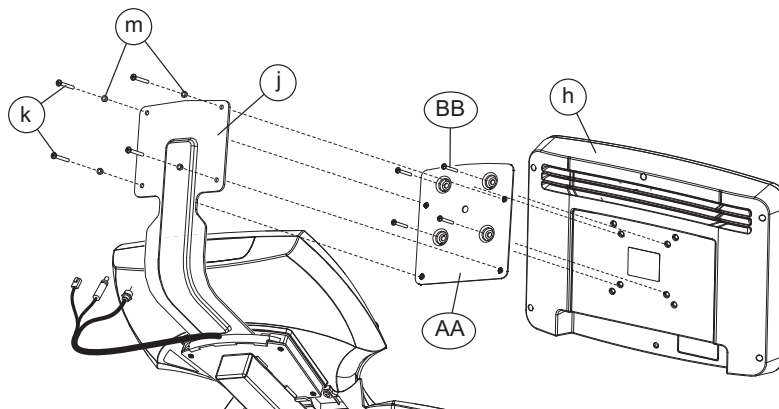
4. Locate the MOUNTING BRACKET (e). With the MOUNTING BRACKET oriented as shown, feed all the console CONNECTORS through the large center hole in the MOUNTING BRACKET. Align the LOCATING TABS (f) of the MOUNTING BRACKET with the tab slots and position the MOUNTING BRACKET into the center channel of the SPACER (d). Slide the MOUNTING BRACKET upward until it locks solidly in the SPACER. Secure the MOUNTING BRACKET to the SPACER using two FLAT HEAD SCREWS (g). Tighten the SCREWS securely.



5. Install the DISPLAY CONSOLE (9) as instructed in the Assembly Instructions using the four new 1-1/2" SCREWS supplied. Tighten the SCREWS to 6-8 in-lbs. Do not overtighten the SCREWS.

CAUTION: Do not pinch any wires when assembling the DISPLAY CONSOLE (9) to the console MOUNTING plate (D).

6. Attach the ADAPTER BRACKET (AA) to the ATTACHABLE TV (h) to the using four SCREWS (BB). Tighten the SCREWS to 6-8 in-lbs. Do not overtighten the SCREWS. Attach the ATTACHABLE TV to the UPPER MOUNTING PLATE (j) using four SCREWS (k) and washers (m). Tighten the SCREWS to 6-8 in-lbs. Do not overtighten the SCREWS.



7. Connect the COAXIAL CABLE, POWER CORD and I-R REMOTE CONTROL CABLE (b) to the rear of the ATTACHABLE TV (h). See the *Media Connections* page in this manual for detailed information.
8. CABLE TIE (c) any excess cable together behind the ATTACHABLE TV (h) and position the cables between the MOUNTING BRACKET (E) and the DISPLAY CONSOLE (9).
9. Secure the POWER ADAPTER (n) to the FRONT STABILIZER (o) using two CABLE TIES (c) as shown. Be sure the cable ties are pulled tight and trim the excess cable ties. Connect the screw-type connector of the POWER CORD (p) to the underside receptacle. Bundle excess power cord and store under the unit. Connect the coaxial cable (q) to the broadcast supply cable in similar fashion.
10. Connect the POWER SUPPLY CORD to the POWER ADAPTER (n).
11. Continue with the remainder of assembly as instructed in the *95Si Assembly Instructions* or *93S, 90S Assembly Instructions*. Plug the power supply cord into an electrical outlet upon completion.

